

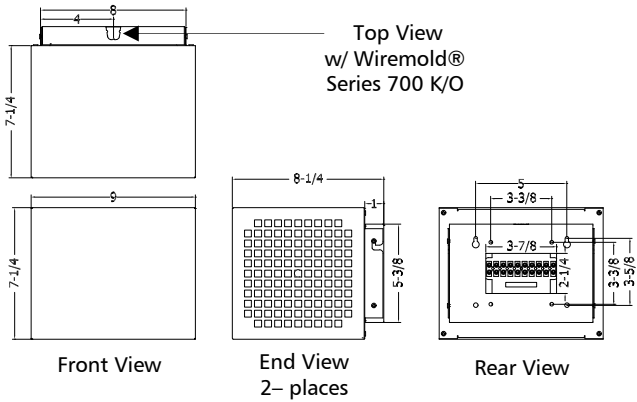


# Quam

## SYSTEM 31 Bi-Directional Wall Mount Paging Loudspeaker Dual Re-Entrant Horn

01  
LOUDSPEAKER ASSEMBLIES

### 0102 - SURFACE MOUNTED SPEAKER SYSTEM



#### GENERAL DESCRIPTION

The Quam SYSTEM 31 is a complete, bi-directional surface mounted paging loudspeaker assembly with two double re-entrant compression type loudspeakers, 25/70.7V transformer and CRS enclosure and mount pedestal.

Finish: Enclosure: White baked epoxy hybrid  
Mount pedestal: Black baked epoxy hybrid

#### INTENDED USE

Outdoor or indoor environment- Mounted to wall or ceiling, long axis of the device parallel to the floor plane and traffic flow. Recommended mount height: 8'-0 to 12'-0 AFF. Program Material: Signal tones, voice

#### SYSTEM COMPONENTS

Loudspeaker	2x H16T
Transformer	16W, Integral to unit 25/70.7V, 5 taps at -3dB levels* *16W, 8W, 4W, 2W, 1W

#### RECOMMENDED QUAM ACCESSORY

Drop-ceiling installation:

SSB-1900 or SSB-1900DEEP	Load-bearing support bridge with '1900' electrical junction box
--------------------------	---

#### AUDIO SPECIFICATIONS

Speaker Type	2x Double re-entrant compression
Average Sensitivity	110 dB SPL, 1W/ 1M (Each side)
Loudspeaker Power Rating	16W RMS, EIA 426A Standard ea. 2x devices, 32W total
Calculated Maximum System Output	122 dB SPL, 16W/ 1M, on axis either side
Frequency Response	300Hz - 15 kHz EIA 462A Standard
Nominal Coverage Angle ( Wall Mount position )	Vertical: 90° Included Angle, Horizontal: 45° Included Angle -6 dB / 2 kHz, Half space
Audio Connection	Terminal block

Recommended construction sequences, installation instructions and A&E Specifications are available in various formats on the Quam Architects' and Engineers' Resources CD or on the web at: [www.quamspeakers.com](http://www.quamspeakers.com)

**Quam-Nichols Company**  
 234 East Marquette Road, Chicago, IL 60637  
 Phone: (800) NEED NOW Fax: (888) NEED NOW  
 (800) 633 - 3669 (888) 633 - 3669  
 E-Mail: [neednow@qnc.com](mailto:neednow@qnc.com) [www.quamspeakers.com](http://www.quamspeakers.com)

