



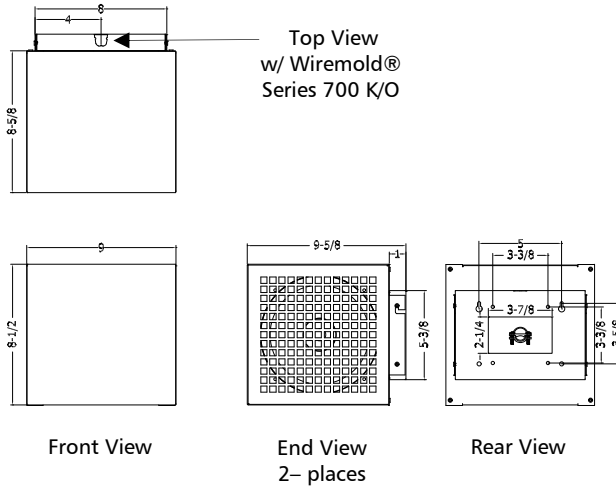
Quam

SYSTEM 32 Bi-Directional Wall Mount Paging Loudspeaker 8" Cone Speaker

01

LOUDSPEAKER ASSEMBLIES

0102 - SURFACE MOUNTED SPEAKER SYSTEM



GENERAL DESCRIPTION

The QUAM SYSTEM 32 is a complete, bi-directional surface mounted loudspeaker, with a 8" O.D. speaker, 5W-25/70.7V pigtail transformer, 22 gage steel enclosure and mount pedestal.

Finish: Enclosure: White baked epoxy hybrid
Mount pedestal: Black baked epoxy hybrid

INTENDED USE

Indoor environment- Mounted to wall or ceiling, long axis of the device parallel to the floor plane and traffic flow.
Recommended mount height: 8'-0 to 12'-0 AFF.
Program Material: Signal tones, voice

SYSTEM COMPONENTS

Loudspeaker	8C5PAX
Transformer	5W*, 25/70.7V pigtail (TBLU)

*5W, 2.5W, 1.25W, 0.63W, 0.31W

RECOMMENDED QUAM ACCESSORY

Drop-ceiling installation:

SSB-1900 or SSB-1900DEEP	Load-bearing support bridge '1900' electrical junction box
-----------------------------	---

AUDIO SPECIFICATIONS

Average Sensitivity	92 dB SPL, 1W/ 1M
Loudspeaker Power Rating	12W RMS, EIA 426A Standard
Calculated Maximum System Output	99 dB SPL, 5W/ 1M
Magnet Type, Weight	BeFe Ceramic, 4.8 oz. Nominal
Frequency Response	65Hz - 17 kHz EIA 462A Standard
Nominal Coverage Angle (Wall Mount position)	Vertical: 90° Included Angle, Horizontal: 45° Included Angle -6 dB / 2 kHz, Half space
Audio Connection	7" color-coded pigtails, pre-cut

Recommended construction sequences, installation instructions and A&E Specifications are available in various formats on the Quam Architects' and Engineers' Resources CD or on the web at: www.quamspeakers.com

Quam-Nichols Company

234 East Marquette Road, Chicago, IL 60637
Phone: (800) NEED NOW Fax: (888) NEED NOW
(800) 633 - 3669 (888) 633 - 3669
E-Mail: neednow@qnc.com www.quamspeakers.com

