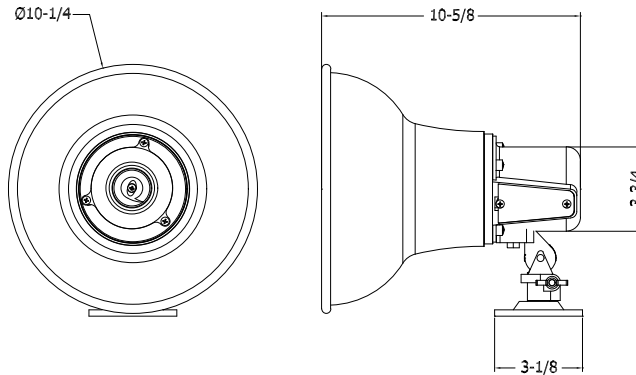


0103 - PAGING HORN



GENERAL DESCRIPTION

The QUAM QH32T is a double re-entrant horn, compression type loudspeaker and 32W-25/70.7V rotary select transformer with adjustable mount base
Finish: Tan enamel

INTENDED USE

Outdoor or indoor environment, vertical or horizontal surface mount; adapts to pole mount

Program Material: Voice and signal tone

SYSTEM COMPONENTS

Loudspeaker:	QH32T
Transformer:	32W*, 25V/ 70.7V, rotary select, integral to unit.

- * 70V- 32W, 16W, 8W, 4W
- * 25V- 32W, 16W, 8W, 4W, 2W

AUDIO SPECIFICATIONS

Speaker Type:	Compression, re-entrant horn
Average Sensitivity:	113 dB-SPL, 1W/ 1M
Power rating:	32W-RMS, EIA 426A Standard
Calculated Output:	124 dB-SPL, 32W / 1M
Frequency Response:	300 - 15 kHz EIA 426A Standard
Nominal Coverage Angle:	110° Included angle, -6dB 2 kHz
Transformer Tap Selection	Rotary selector switch
Audio Connection:	Binding Screw

Recommended construction sequences, installation instructions and A&E Specifications are available in various formats in the Quam Architects' and Engineers' Resources section on the web at: www.QuamSpeakers.com

Quam-Nichols Company

234 East Marquette Road, Chicago, IL 60637
Phone: (800) NEED NOW Fax: (888) NEED NOW
(800) 633 - 3669 (888) 633 - 3669
E-Mail: neednow@qnc.com www.quamspeakers.com

