



Quam

C10X Series

0104.2 - Speaker, Transformer, Baffle and
Universal Volume Control

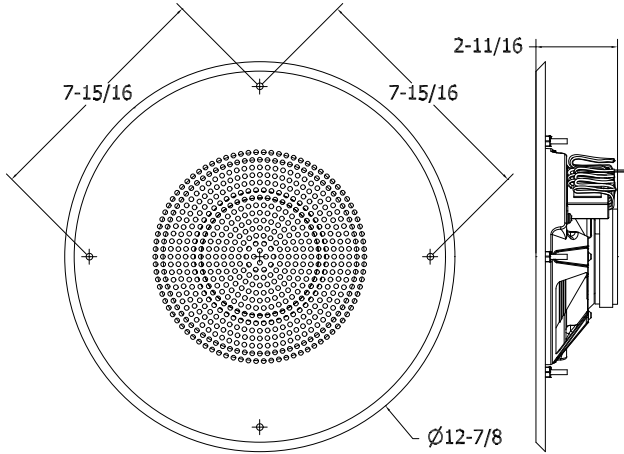
0104.3 - Speaker, Transformer, Baffle

0104.4 - Speaker, Transformer

01

LOUDSPEAKER ASSEMBLIES

0104 - CEILING MOUNTED SPEAKER ASSEMBLIES



GENERAL DESCRIPTION

The QUAM C10X Series is a complete loudspeaker assembly with a 8" O.D. full range speaker, multiple transformer options and 22 gage steel baffle. Finish: Baffle, white baked epoxy hybrid, Loudspeaker, black baked epoxy hybrid.

INTENDED USE

All variants: Downward facing, ceiling mounted, Interior environment.
Program Material: Signal tones, voice and music

SYSTEM COMPONENTS

Loudspeaker	8C10PAX
-------------	---------

Transformer

C10X/ B25 /Wx/xx	4W*, 25V pigtail
C10X/ B70 /Wx/xx	4W*, 70.7V pigtail
C10X/ BU /Wx/xx	5W**, 25/70.7V pigtail
	*4W, 2W, 1W, 0.5W, 0.25W
	**5W, 2.5W, 1.25W, 0.63W, 0.31W

Baffle Options

C10X/xx/ W /xx	Screw Mount
C10Xxx/ WS /xx	Stud Mount

Volume Control Option

C10X/xx/xx/ VC	Baffle mount, Screw or knob adjust
-----------------------	------------------------------------

AUDIO SPECIFICATIONS

Average Sensitivity	95 dB-SPL, 1W/ 1M
Loudspeaker Power Rating	20W-RMS, EIA 426A Standard
Calculated Maximum System Output	102 dB-SPL, 5W/ 1M 101 dB-SPL, 4W/ 1M
Magnet Type, Weight	BeFe Ceramic, 10 oz. Nominal
Frequency Response	60Hz - 17kHz
Nominal Coverage Angle	90° Included Angle
Coverage Angle	-6 dB / 2 kHz, Half space
Audio Connection:	7" long, color-coded tinned wires, pre-cut

Recommended construction sequences, installation instructions and A&E Specifications are available in various formats on the Quam Architects' and Engineers' Resources CD or on the web at: www.quamspeakers.com

RECOMMENDED ADDITIONAL QUAM COMPONENTS

- 0401.1- Backboxes, Round
- 0402- Loudspeaker mounting devices

ADDITIONAL COMPONENT SUBSTITUTIONS AVAILABLE

Contact Factory

Quam-Nichols Company

234 East Marquette Road, Chicago, IL 60637
 Phone: (800) NEED NOW Fax: (888) NEED NOW
 (800) 633 - 3669 (888) 633 - 3669
 E-Mail: neednow@qnc.com www.quamspeakers.com

