



# Quam

## SYSTEM 16

70V, Extended Frequency Response  
Tile Replacement Loudspeaker Assembly

## SYSTEM 16/8

8-Ohm, Extended Frequency Response  
Tile Replacement Loudspeaker Assembly

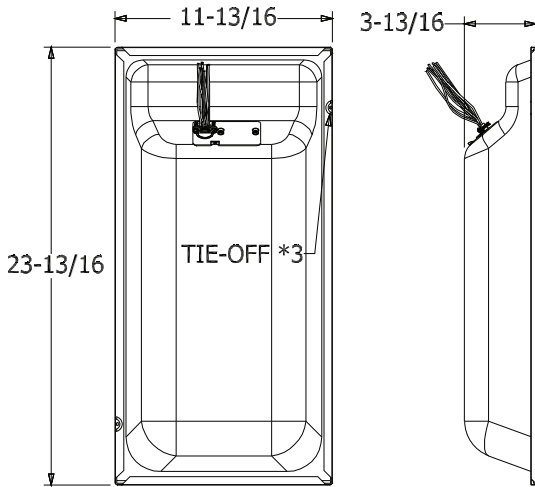
## SYSTEM 16/25RS

25V, Rotary Select, Extended Frequency Response  
Tile Replacement Loudspeaker Assembly

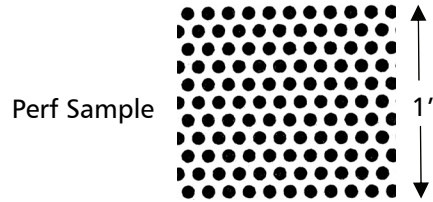
01

LOUDSPEAKER ASSEMBLIES

### 0104.5 - TILE REPLACEMENT LOUDSPEAKER



SYSTEM16 Shown



#### GENERAL DESCRIPTION

The SYSTEM16 Series are versions of a complete, extended frequency response loudspeaker assembly, with 8" O.D. loudspeaker, "micro-perf" steel baffle and integrated back box. A white "T" trim rail is supplied to finish the 23-3/4" side.

Finish: White baked epoxy hybrid.

#### INTENDED USE

Mounted parallel to floor plane in a 24" wide suspended ceiling tile grid; indoor environment.  
Program Material: Music, voice and signal tones

#### SYSTEM COMPONENTS:

Loudspeaker	8C10FEPAX (Urethane foam surround, hard fiber HF cone)
Transformer ( SYSTEM16 Only )	10W*, pig-tail, Low-loss, Extended LF response, 5-taps, -3dB each (TCH70)
Transformer ( SYSTEM16/25RS Only )	4W**, Rotary select, 5-taps, -3dB each

\*10W, 5W, 2.5W, 1.25W, 0.63W  
\*\* 4W, 2W, 1W, 0.5W, 0.25W

#### AUDIO SPECIFICATIONS:

Average Sensitivity	95 dB-SPL, 1W/1M
Loudspeaker Power Rating	20W-RMS, EIA 426A Standard
Calculated Maximum System Output	105 dB-SPL, 10W /1M 101 dB-SBL, 4W/1M (SYSTEM16/25RS)
Magnet Type, Weight	BeFe Ceramic, 10 oz. Nominal
Frequency Response	50—18kHz (SYSTEM16) 65—18kHz (SYSTEM16/25RS) EIA 426A Standard
Nominal Coverage Angle	100° Included angle, -6dB 2 kHz, half space
Audio Connection	7" pre-cut, labeled wires

Recommended construction sequences, installation instructions, wiring diagrams and A&E Guide Specifications are available in various formats on the web at:  
[www.QuamSpeakers.com](http://www.QuamSpeakers.com) >RESOURCES

#### Quam-Nichols Company

234 East Marquette Road, Chicago, IL 60637  
Phone: (800) NEED NOW Fax: (888) NEED NOW  
(800) 633 - 3669 (888) 633 - 3669  
E-Mail: neednow@qnc.com www.quamspeakers.com



**(1' x 2') SYSTEM 5/VC, SYSTEM 14, SYSTEM 16 – includes 8-Ohm, /25RS and /70RS versions**  
**(2' x 2') SYSTEM 12/VC, SYSTEM 15, SYSTEM 17 – includes 8-Ohm, /25RS and /70RS versions**

**INTENDED USE:**

All versions: Indoor environment, mounted parallel to floor plane in a 24" wide, suspended ceiling tile grid; mount height 18' or less above floor plane.

Program material: Signal tones, voice and music.

**1. Cut ceiling tile as required:**

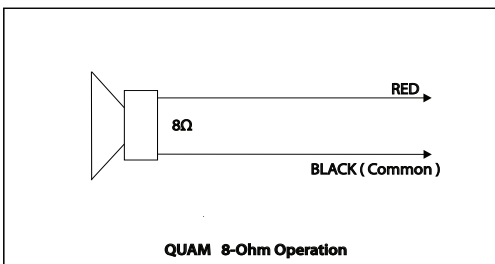
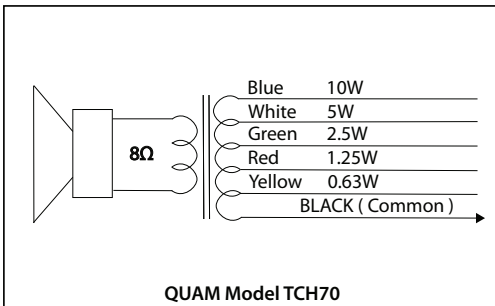
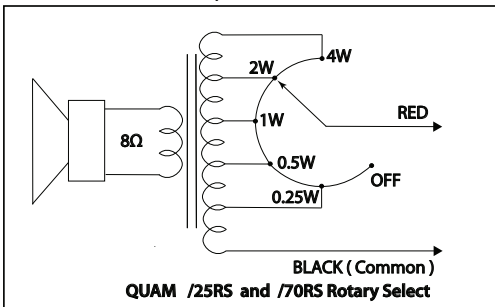
- 1' x 2' **FORMAT LOUDSPEAKER**
  - 2' x 2' tile – Cut tile in half along one axis.
  - 2' x 4' tile – Cut 12" from edge along 2' axis and discard smaller piece.

- 2' x 2' **FORMAT LOUDSPEAKER**
  - 2' x 2' tile – No cutting required.
  - 2' x 4' tile – Cut tile in half along 2' axis.

**!** **Steps 2-3** – Required only if using conduit clamp fitting *other than what is provided* with product.

**2. Loosen, but do not remove screws** on cover plate; push up and remove plate from assembly.

**3. Remove cable /conduit clamp fitting from plate;** Install UL Listed metallic enclosure entry fitting for plenum cable or flex whip.



**4. Feed supply cable through whip to connector.**

Make connections per wiring diagrams below; insulate all unused taps from each other, the enclosure and electrical ground.

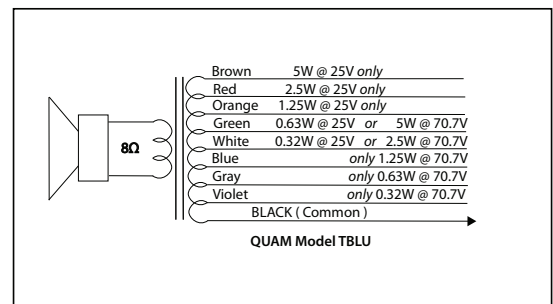
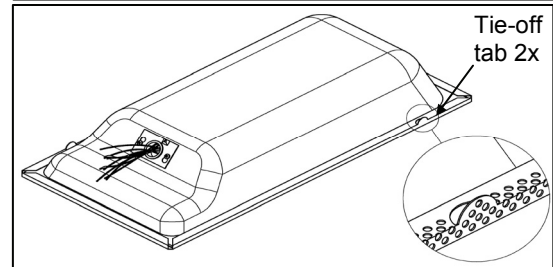
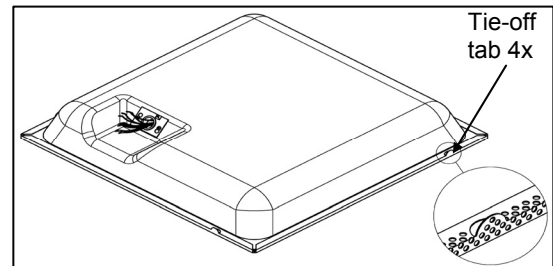
When cover plate is secured, all connections / splices and unused leads must be inside of the enclosure.

**5. Place assembly onto ceiling grid,** install 24" T-bar trim piece where required (furnished only with specific 1'x2' formats).

**NOTE! AHJ/ local codes may require tie-off to structure.** Bend up tie-off tabs as shown in illustration and install as directed.

**NOTE! AHJ/ local codes may require tie-down to grid.** Recommended fasteners; *not supplied*: Erico/Caddy part ATA4i and 1/4"-20 x 2" bolt, or equivalent. Install as directed.

**6. Place remaining ceiling tile** into opening as required.



234 East Marquette Road, Chicago, IL 60637  
 Phone: (800) NEED NOW Fax: (888) NEED NOW  
 (800) 633 - 3669 (888) 633 - 3669  
 E-Mail: neednow@qnc.com www.quamspeakers.com

