



Quam

SYSTEM17

Extended Frequency Response, 70.7V Pig-Tail Lead

SYSTEM17/8

Extended Frequency Response, 8-Ohm Pig-Tail Lead

SYSTEM17/25RS

Extended Frequency Response, 25V Rotary Select

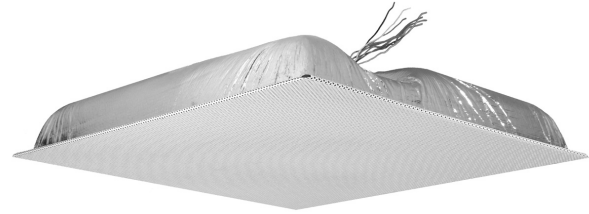
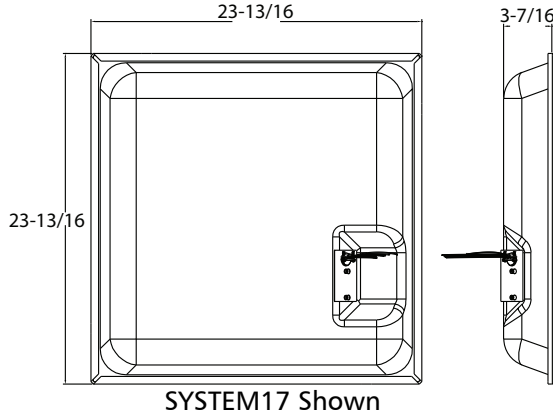
SYSTEM17/70RS

Extended Frequency Response, 70.7V Rotary Select

0104.5 - TILE REPLACEMENT LOUDSPEAKER

01

LOUDSPEAKER ASSEMBLIES



GENERAL DESCRIPTION

The SYSTEM17 Series consists of versions of a complete loudspeaker with a 8" O.D. wide frequency response speaker, multiple transformer options, perforated steel baffle, and integral molded fiber enclosure.
Finish: Baked epoxy hybrid.

MODELS

SYSTEM17	10W*, 70.7V, pigtail select (TCH70)
SYSTEM17/25RS	4W**, 25V rotary select
SYSTEM17/70RS	4W**, 70.7V rotary select
SYSTEM17/8	20W, 8-Ohm

*10W, 5W, 2.5W, 1.25W, 0.63W
** 4W, 2W, 1W, 0.5W, 0.25W

INTENDED USE

All versions: Indoor environment, mounted parallel to floor plane in a 24" wide suspended ceiling tile grid.
Program Material: Signal tones, voice and music.

SYSTEM COMPONENTS

Loudspeaker 8C10FEPAX

FINISH OPTIONS

White Order as SYSTEM17, SYSTEM17/25RS, SYSTEM17/70RS, SYSTEM17/8
Black Order as SYSTEM17/B, SYSTEM17/25RS/B, SYSTEM17/70RS/B, SYSTEM17/8/B

AUDIO SPECIFICATIONS:

Average Sensitivity	95 dB-SPL, 1W/1M
Loudspeaker Power Rating	20W RMS, EIA 426A Standard
Calculated Maximum System Output	105 dB-SPL, 10W/1M
Magnet Type, Weight	BeFe Ceramic, 10oz. Nominal
Frequency Response	50Hz - 18 kHz (SYSTEM17, SYSTEM17/8) 65Hz - 18 kHz (SYSTEM17/- RS versions EIA 426A Standard
Nominal Coverage Angle	100° Included angle, -6dB
Audio Connection	2 kHz, half space 7" long, labeled tinned wires, pre-cut

Recommended construction sequences, installation instructions, and A&E Guide Specifications are available on the web at:

[www.QuamSpeakers.com/ Resources /A&EResources](http://www.QuamSpeakers.com/Resources/A&EResources)

Quam-Nichols Company

234 East Marquette Road, Chicago, IL 60637
Phone: (800) NEED NOW Fax: (888) NEED NOW
(800) 633 - 3669 (888) 633 - 3669
E-Mail: neednow@qnc.com www.quamspeakers.com



(1' x 2') SYSTEM 5/VC, SYSTEM 14, SYSTEM 16 – includes 8-Ohm, /25RS and /70RS versions
(2' x 2') SYSTEM 12/VC, SYSTEM 15, SYSTEM 17 – includes 8-Ohm, /25RS and /70RS versions

INTENDED USE:

All versions: Indoor environment, mounted parallel to floor plane in a 24" wide, suspended ceiling tile grid; mount height 18' or less above floor plane.

Program material: Signal tones, voice and music.

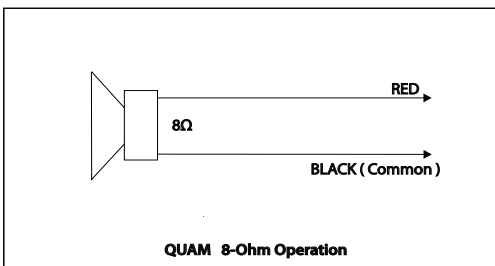
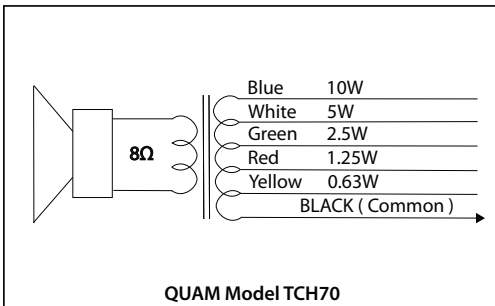
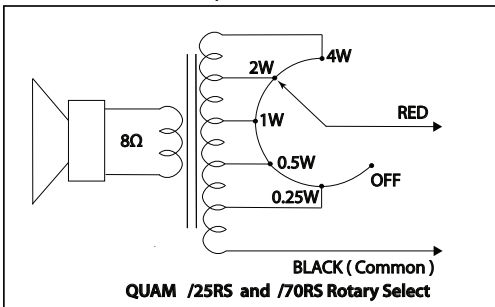
1. Cut ceiling tile as required:

- 1' x 2' **FORMAT LOUDSPEAKER**
 - 2' x 2' tile – Cut tile in half along one axis.
 - 2' x 4' tile – Cut 12" from edge along 2' axis and discard smaller piece.
- 2' x 2' **FORMAT LOUDSPEAKER**
 - 2' x 2' tile – No cutting required.
 - 2' x 4' tile – Cut tile in half along 2' axis.

! **Steps 2-3** – Required only if using conduit clamp fitting *other than what is provided* with product.

2. Loosen, but do not remove screws on cover plate; push up and remove plate from assembly.

3. Remove cable /conduit clamp fitting from plate; Install UL Listed metallic enclosure entry fitting for plenum cable or flex whip.



4. Feed supply cable through whip to connector.

Make connections per wiring diagrams below; insulate all unused taps from each other, the enclosure and electrical ground.

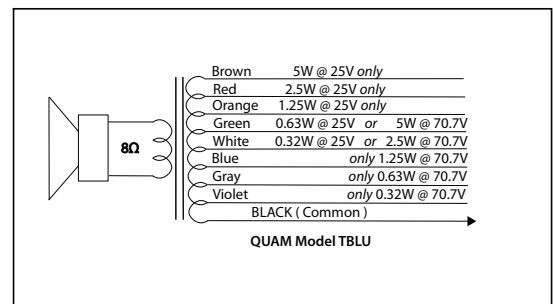
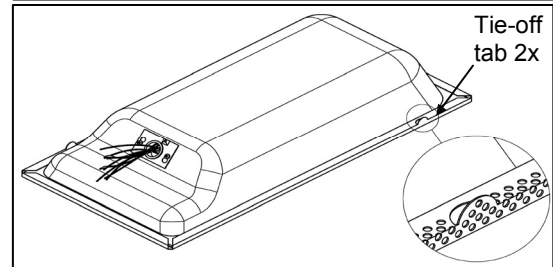
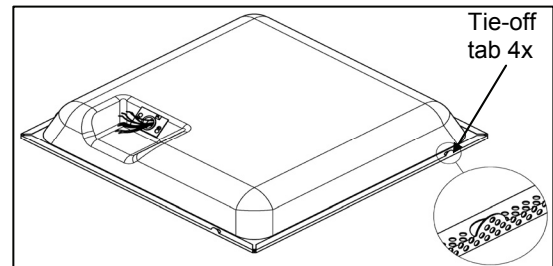
When cover plate is secured, all connections / splices and unused leads must be inside of the enclosure.

5. Place assembly onto ceiling grid, install 24" T-bar trim piece where required (furnished only with specific 1'x2' formats).

NOTE! AHJ/ local codes may require tie-off to structure. Bend up tie-off tabs as shown in illustration and install as directed.

NOTE! AHJ/ local codes may require tie-down to grid. Recommended fasteners; *not supplied.* Erico/Caddy part ATA4i and 1/4"-20 x 2" bolt, or equivalent. Install as directed.

6. Place remaining ceiling tile into opening as required.



234 East Marquette Road, Chicago, IL 60637
 Phone: (800) NEED NOW Fax: (888) NEED NOW
 (800) 633 - 3669 (888) 633 - 3669
 E-Mail: neednow@qnc.com www.quamspeakers.com

