



# Quam

## SYSTEM18

70.7V, Rotary Select, 2-Way, Full Range  
Ceiling Tile Replacement Loudspeaker

## SYSTEM18/8

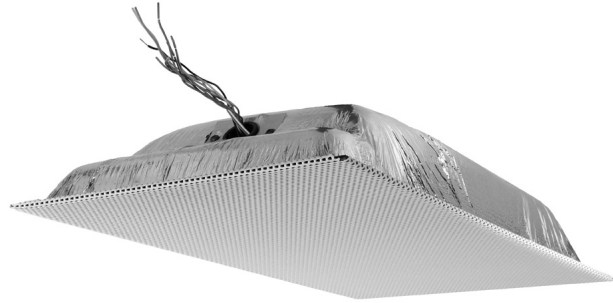
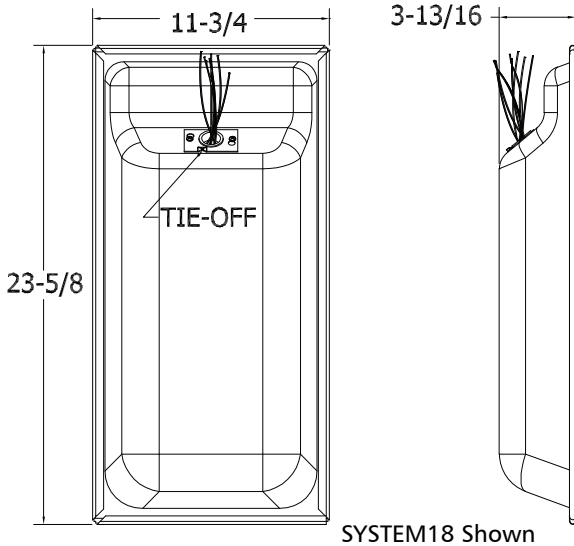
8-Ohm, 2-Way, Full Range  
Ceiling Tile Replacement Loudspeaker

## SYSTEM18/25RS

25V, Rotary Select, 2-Way, Full Range  
Ceiling Tile Replacement Loudspeaker

### 0104.5 - TILE REPLACEMENT LOUDSPEAKER

01



LOUDSPEAKER ASSEMBLIES

#### GENERAL DESCRIPTION

The SYSTEM18 Series consists of versions of a complete 2-way loudspeaker with a 4" O.D. woofer and 1" dome tweeter, multiple transformer options, perforated steel baffle, and integral molded fiber enclosure; one 24" white "T" bar supplied to finish edge. Finish: Baked epoxy hybrid.

#### MODELS

SYSTEM18	20W*, 70.7V rotary select
SYSTEM18/25RS	20W*, 25V rotary select
SYSTEM18/8	20W, 8-Ohm
	*20W, 10W, 5W, 2.5W, 1.25W

#### INTENDED USE

All variants: Indoor environment, mounted parallel to floor plane in a 24" wide suspended ceiling tile grid.  
Program Material: Signal tones, voice and music.

#### FINISH OPTIONS

White	Order as SYSTEM18, SYSTEM18/25RS or SYSTEM18/8
Black	Order as SYSTEM18/B, SYSTEM18/25RS/B or SYSTEM18/8/B

#### AUDIO SPECIFICATIONS:

Average Sensitivity	89 dB-SPL, 1W/ 1M
Loudspeaker Power Rating	20W RMS, EIA 426A Standard
Calculated Maximum System Output	101dB-SPL/ 20W/ 1M
Frequency Response	80 Hz - 20 kHz EIA 426A Standard
Nominal Coverage Angle	90° Included angle, -6dB 2 kHz, half space
Audio Connection	7" long labeled, tinned wires, pre-cut

Recommended construction sequences, installation instructions and A&E Guide Specifications are available on the web at:

[www.QuamSpeakers.com/support-pages/ae-resources.shtml](http://www.QuamSpeakers.com/support-pages/ae-resources.shtml)

#### Quam-Nichols Company

234 East Marquette Road, Chicago, IL 60637  
Phone: (800) NEED NOW Fax: (888) NEED NOW  
(800) 633 - 3669 (888) 633 - 3669

E-Mail: [neednow@qnc.com](mailto:neednow@qnc.com) [www.quamspeakers.com](http://www.quamspeakers.com)

© 2012 Quam-Nichols Company Quam-Nichols reserves the right to make changes and/or improvements to its products at any time and without notice.



TSYSTEM18\_12MY11

**(1' x 2') SYSTEM 18 – includes 8-Ohm and /25RS versions**

**(2' x 2') SYSTEM 19, SYSTEM 20 – includes 8-Ohm and /25RS versions**

**INTENDED USE:**

All versions: Indoor environment, mounted parallel to floor plane in a 24" wide, suspended ceiling tile grid; mount height 18" or less above floor plane.

Program material: Signal tones, voice and music.

**1. Cut ceiling tile as required:**

1' x 2' FORMAT LOUDSPEAKER

2' x 2' tile – Cut tile in half along one axis.

2' x 4' tile – Cut 12" from edge along 2' axis and discard smaller piece.

2' x 2' FORMAT LOUDSPEAKER

2' x 2' tile – No cutting required.

2' x 4' tile – Cut tile in half along 2' axis.

**!** **Steps 2-3** – Required only if using conduit clamp fitting *other than what is provided* with product.

**2. Loosen, but do not remove screws** on cover plate; push up and remove plate from assembly.

**3. Remove cable /conduit clamp fitting from plate;** install UL Listed metallic enclosure entry fitting for plenum cable or flex whip.

**4. Feed supply cable through whip to connector.**

Make connections per wiring diagrams below; insulate all unused taps from each other, the enclosure and electrical ground.

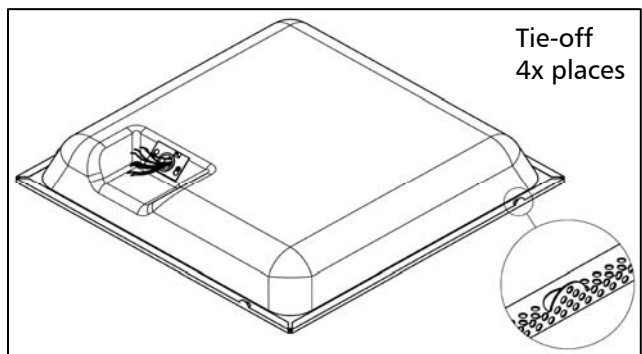
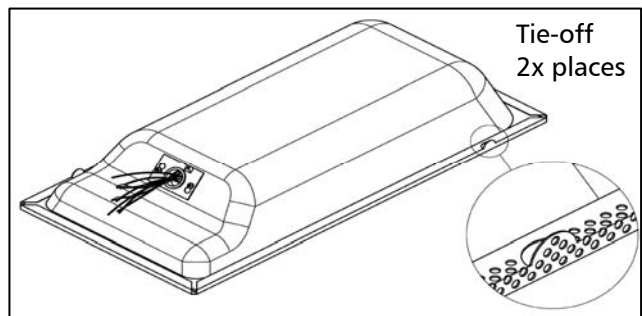
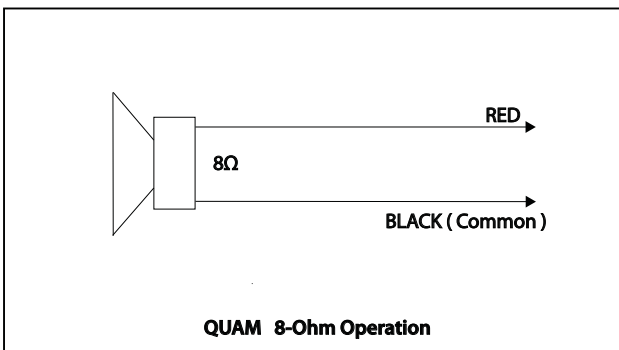
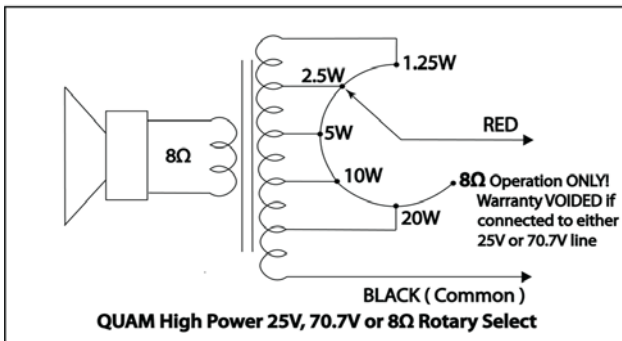
When cover plate is secured, all connections / splices and unused leads must be inside of the enclosure.

**5. Place assembly onto ceiling grid,** install 24" T-bar trim piece, not supplied, to finish a cut 2' x 4' tile.

**NOTE! AHJ/ local codes may require tie-off to structure.** Bend up tie-off tabs as shown in illustration and install as directed.

**NOTE! AHJ/ local codes may require tie-down to grid.** Recommended fasteners; *not supplied.* Erico/Caddy part ATA4i and 1/4"-20 x 2" bolt, or equivalent. Install as directed.

**6. Place remaining ceiling tile** into opening as required.



234 East Marquette Road, Chicago, IL 60637  
 Phone: (800) NEED NOW Fax: (888) NEED NOW  
 (800) 633 - 3669 (888) 633 - 3669  
 E-Mail: neednow@qnc.com www.quamspeakers.com

