



Quam

SYSTEM 19

70.7V, Rotary Select, 2-Way, Full Range
Ceiling Tile Replacement Loudspeaker

SYSTEM 19/8

8-Ohm, 2-Way, Full Range
Ceiling Tile Replacement Loudspeaker

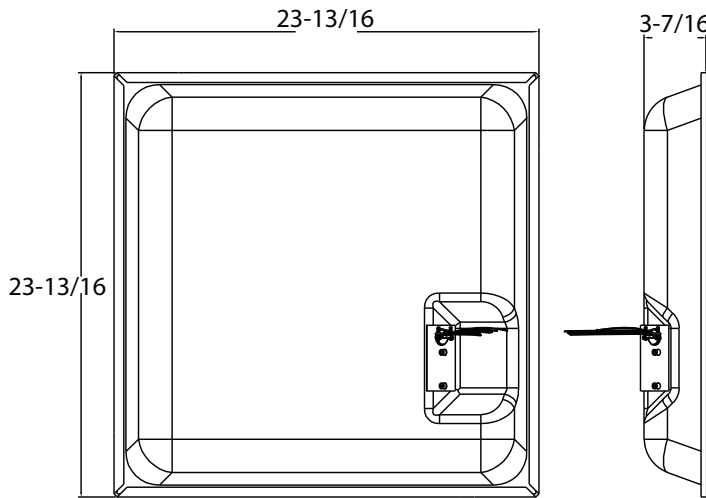
SYSTEM 19/25RS

25V, Rotary Select, 2-Way, Full Range
Ceiling Tile Replacement Loudspeaker

01

LOUDSPEAKER ASSEMBLIES

0104.5 - TILE REPLACEMENT LOUDSPEAKER



SYSTEM19 Shown

GENERAL DESCRIPTION

The SYSTEM19 Series consists of versions of a complete 2-way loudspeaker assembly with a 6-1/2" O.D. woofer and 1" dome tweeter, with multiple transformer options, perforated steel baffle, and integral molded fiber enclosure.
Finish: Baked epoxy hybrid.

MODELS

SYSTEM19 20W*, 70.7V, rotary select
SYSTEM19/25RS 20W*, 25V, rotary select
SYSTEM19/8 8-Ohm, 30W-RMS
 *20W, 10W, 5W, 2.5W, 1.25W

INTENDED USE

Indoor environment, mounted parallel to floor plane in a 24" wide suspended ceiling tile grid.
Program Material: Music, voice and signal tones.

UL Listed 1480- (UEAY, UEAY7-Canada)

As a **General Signaling Device**: when installed in accordance with supplied installation instructions, requirements of NEC and AHJ.

FINISH OPTIONS

White Order as SYSTEM19, SYSTEM19/25RS
 or SYSTEM19/8
Black Order as SYSTEM19/B, SYSTEM19/25RS/B
 or SYSTEM19/8/B

AUDIO SPECIFICATIONS:

Average Sensitivity	91 dB-SPL, 1W/1M
Loudspeaker Power Rating	30W RMS, EIA 426A Standard
Calculated Maximum System Output	104 dB-SPL, 20W/1M
Frequency Response	60 Hz - 20 kHz (All versions) EIA 426A Standard
Nominal Coverage Angle	100° Included angle, -6dB 2 kHz, half space
Audio Connection	7" long, color coded tinned wires

Recommended construction sequences, installation instructions, A&E Guide Specifications, **EASE .GLL / .CF2 files**, are available on the web at: [www.QuamSpeakers.com/ Resources/ A&E Resources](http://www.QuamSpeakers.com/Resources/A&EResources)

Quam-Nichols Company

234 East Marquette Road, Chicago, IL 60637
Phone: (800) NEED NOW Fax: (888) NEED NOW
 (800) 633 - 3669 (888) 633 - 3669
E-Mail: neednow@qnc.com www.quamspeakers.com

© 2012 Quam-Nichols Company Quam-Nichols reserves the right to make changes and/or improvements to its products at any time and without notice.



SIGNALING



(2' x 2') SYSTEM 19, SYSTEM 19/8, SYSTEM 19/25RS

INTENDED USE:

All versions: Indoor environment, mounted parallel to floor plane in a 24" wide, suspended ceiling tile grid; mount height 18' or less above floor plane.

Program material: Signal tones, voice and music.

UL Listed 1480

"Material and construction permits use where ceiling plenum is part of the air handling system"



Type-G- General Signaling

1. Cut ceiling tile as required:

- 2' x 2' tile – No cutting required.
- 2' x 4' tile – Cut tile in half along 2' axis.

! Steps 2-3 only– Required only if using conduit clamp fitting *other than what is provided* with product.

2. Loosen, but do not remove screws on cover plate; push up and remove plate from assembly.

3. Remove cable /conduit clamp fitting from plate; install UL Listed metallic enclosure entry fitting for plenum cable or flex whip.

4. Feed supply cable through whip to connector.

Make connections per wiring diagrams lower left below; insulate all unused taps from each other, the enclosure and electrical ground.

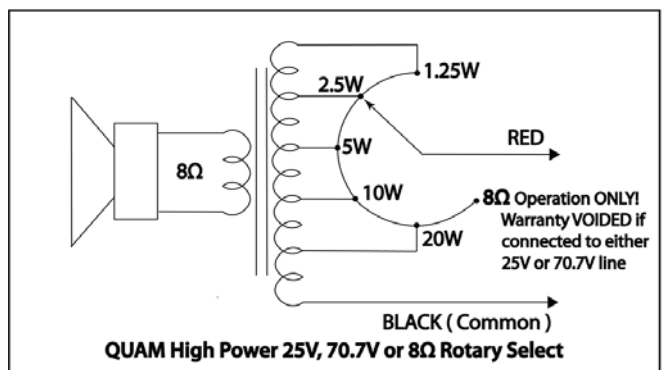
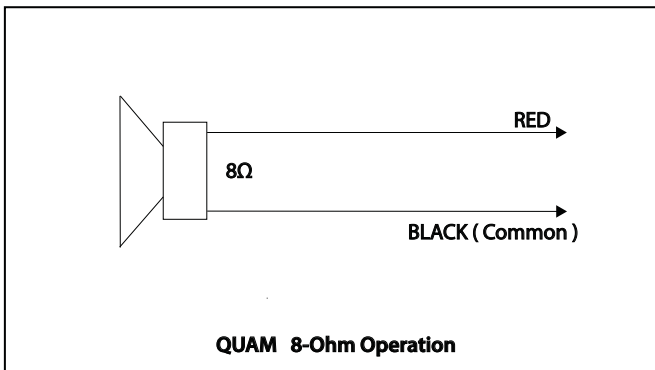
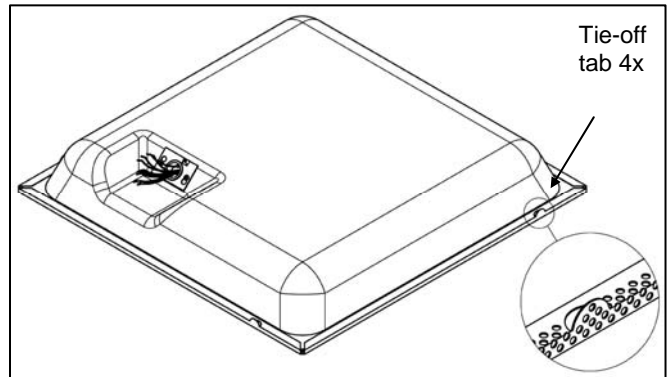
When cover plate is secured, all connections / splices and unused leads must be inside of the enclosure.

5. Place assembly onto ceiling grid, install 24" T-bar trim piece, not supplied, to finish a cut 2' x 4' tile.

NOTE! AHJ/ local codes may require tie-off to structure. Bend up tie-off tabs as shown in illustration and install as directed.

NOTE! AHJ/ local codes may require tie-down to grid. Recommended fasteners; *not supplied.* Erico/Caddy part ATA4i and 1/4"-20 x 2" bolt, or equivalent. Install as directed.

6. Place remaining ceiling tile into opening as required.



234 East Marquette Road, Chicago, IL 60637
 Phone: (800) NEED NOW Fax: (888) NEED NOW
 (800) 633 - 3669 (888) 633 - 3669
 E-Mail: neednow@qnc.com www.quamspeakers.com

