



Quam

SYSTEM 5 25V/ 70.7V Pig-Tail Lead

SYSTEM 5/VC * 25V/ 70.7V Pig-Tail Lead, Volume Control

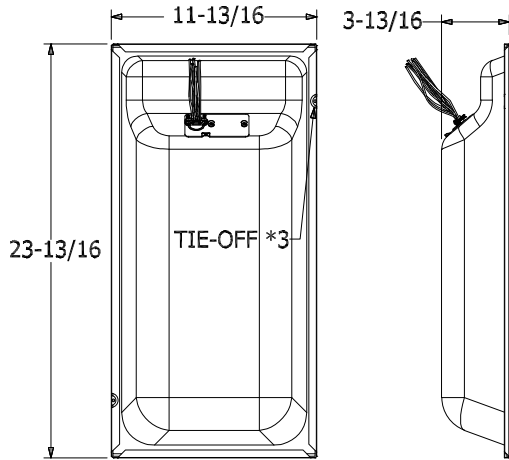
SYSTEM 5/ 25RS 25V Rotary Select Tap

SYSTEM 5/ 70RS 70.7V Rotary Select Tap

0104.5 - LAY-IN CEILING MOUNT (TILE REPLACEMENT)

01

LOUDSPEAKER ASSEMBLIES



SYSTEM 5 Shown



GENERAL DESCRIPTION

The QUAM SYSTEM 5/xxxx/x is a complete loudspeaker assembly with a 8" O.D. full range speaker, multiple transformer options, perforated steel baffle, and integral molded fiber enclosure; one 24" white "T" bar supplied to finish edge.

Finish: Baked epoxy hybrid

INTENDED USE

Indoor environment, mounted parallel to floor plane in a 24" wide suspended ceiling tile grid.
Program Material: Signal tones, voice and music.

UL Listed 1480- (UEAY, UEAY7-Canada)

As a General Signaling Device: when installed in accordance with supplied installation instructions, requirements of NEC and AHJ.

CITY OF CHICAGO *APPROVED- Material and construction permits use where ceiling plenum is part of the air handling system.

SYSTEM COMPONENTS

| | |
|------------------------------|--|
| Loudspeaker | 8C5PAX |
| Transformers | |
| SYSTEM 5 | 5W*, 25V/70.7V pig-tail (TBLU) |
| SYSTEM 5/ VC (Not UL Listed) | 5W*, 25V/70.7V pig-tail (TBLU) with Volume Control |
| SYSTEM 5/25RS | 4W**, 25V Rotary select (TBL25) |
| SYSTEM 5/70RS | 4W**, 70.7V Rotary select (TBL70) |
| | *5W, 2.5W, 1.25W, 0.63W, 0.31W |
| | **4W, 2W, 1W, 0.5W, 0.25W |
| FINISH OPTIONS | |
| White | Order as SYSTEM 5/xxxx |
| Black | Order as SYSTEM 5/xxxx/B |

AUDIO SPECIFICATIONS:

| | |
|----------------------------------|--|
| Average Sensitivity | 92 dB-SPL, 1W/ 1M |
| Loudspeaker Power Rating | 12W RMS, EIA 426A Standard |
| Calculated Maximum System Output | 5W pig-tail xfm: 99 dB-SPL/ 1M 4W rotary tap xfm: 98 dB-SPL/ 1M |
| Magnet Type, Weight | BeFe Ceramic, 4.8 oz. Nominal |
| Frequency Response | 65 Hz - 17 kHz EIA 426A Standard |
| Nominal Coverage Angle | 100° Included angle, -6dB |
| Audio Connection | 2 kHz, half space 7" long labeled, tinned wires, pre-cut |

Recommended construction sequences, installation instructions, A&E Guide Specifications, [EASE .GLL / .CF2 files](#), are available on the web at:

www.QuamSpeakers.com/support-pages/ae-resources.shtml

Quam-Nichols Company

234 East Marquette Road, Chicago, IL 60637
Phone: (800) NEED NOW Fax: (888) NEED NOW
(800) 633 - 3669 (888) 633 - 3669
E-Mail: neednow@qnc.com www.quamspeakers.com



SIGNALING



(1' x 2') SYSTEM 5 – includes 8-Ohm and /xxRS versions

(2' x 2') SYSTEM 12 – includes 8-Ohm and /xxRS versions

INTENDED USE:

All versions: Indoor environment, mounted parallel to floor plane in a 24" wide, suspended ceiling tile grid; mount height 18' or less above floor plane.

Program material: Signal tones, voice and music.



UL Listed 1480

City of Chicago * Approved

"Material and construction permits use where ceiling plenum is part of the air handling system"

Type G– General Signaling

1. Cut ceiling tile as required:

1' x 2' FORMAT LOUDSPEAKER

- 2' x 2' tile – Cut tile in half along one axis.
- 2' x 4' tile – Cut 12" from edge along 2' axis and discard smaller piece.

2' x 2' FORMAT LOUDSPEAKER

- 2' x 2' tile – No cutting required.
- 2' x 4' tile – Cut tile in half along 2' axis.

! Steps 2-3 – Required only if using conduit clamp fitting *other than what is provided* with product.

2. Loosen, but do not remove screws on cover plate; push up and remove plate from assembly.

3. Remove cable /conduit clamp fitting from plate; Install UL Listed metallic enclosure entry fitting for plenum cable or flex whip.

4. Feed supply cable through whip to connector. Make connections per wiring diagrams below; insulate all unused taps from each other, the enclosure and electrical ground.

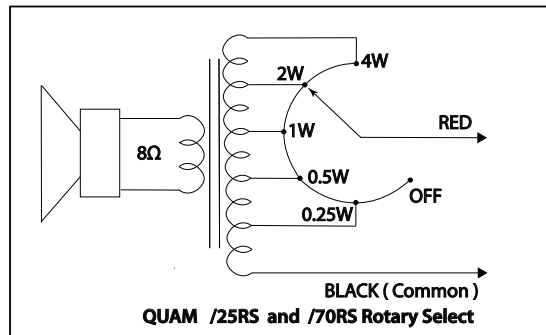
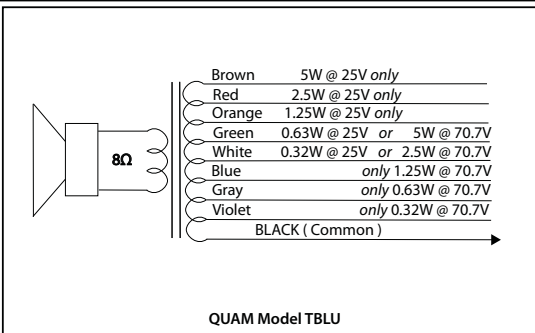
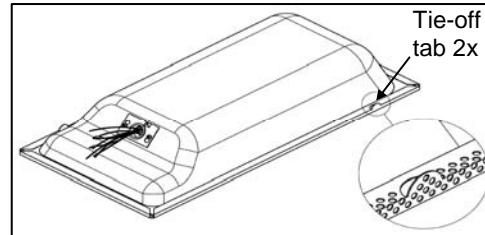
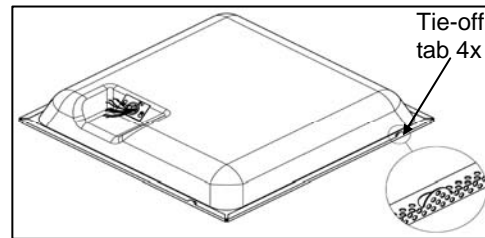
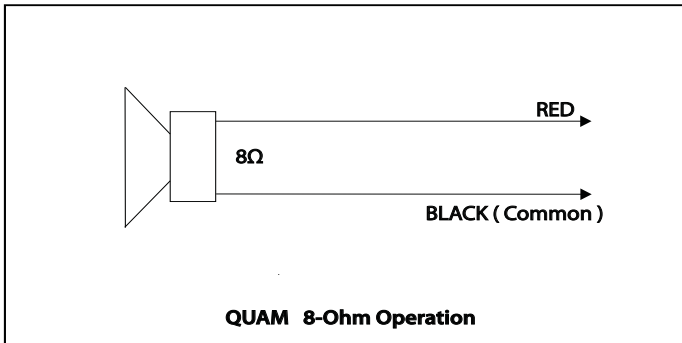
When cover plate is secured, all connections / splices and unused leads must be inside of the enclosure.

5. Place assembly onto ceiling grid, install 24" T-bar trim piece where required (furnished only with specific 1'x2' formats).

NOTE! AHJ/ local codes may require tie-off to structure. Bend up tie-off tabs as shown in illustration and install as directed.

NOTE! AHJ/ local codes may require tie-down to grid. Recommended fasteners; *not supplied.* Erico/Caddy part ATA4i and 1/4"-20 x 2" bolt, or equivalent. Install as directed.

6. Place remaining ceiling tile into opening as required.



234 East Marquette Road, Chicago, IL 60637
 Phone: (800) NEED NOW Fax: (888) NEED NOW
 (800) 633 - 3669 (888) 633 - 3669
 E-Mail: neednow@qnc.com www.quamspeakers.com



(1' x 2') SYSTEM 5/VC, SYSTEM 14, SYSTEM 16, – includes 8-Ohm and xx/RS versions
(2' x 2') SYSTEM 12/VC, SYSTEM 15, SYSTEM 17 – includes 8-Ohm and xx/RS versions

INTENDED USE:

All versions: Indoor environment, mounted parallel to floor plane in a 24" wide, suspended ceiling tile grid; mount height 18' or less above floor plane.

Program material: Signal tones, voice and music.

1. Cut ceiling tile as required:

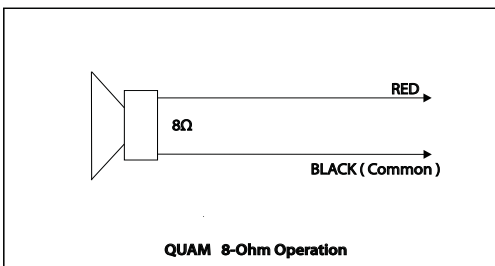
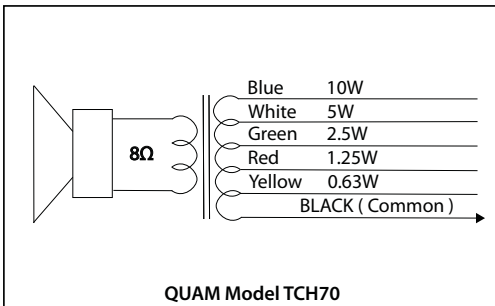
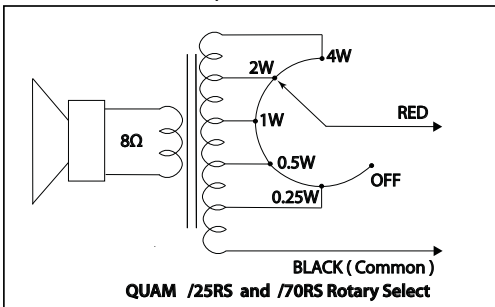
- 1' x 2' **FORMAT LOUDSPEAKER**
 - 2' x 2' tile – Cut tile in half along one axis.
 - 2' x 4' tile – Cut 12" from edge along 2' axis and discard smaller piece.

- 2' x 2' **FORMAT LOUDSPEAKER**
 - 2' x 2' tile – No cutting required.
 - 2' x 4' tile – Cut tile in half along 2' axis.

! **Steps 2-3** – Required only if using conduit clamp fitting *other than what is provided* with product.

2. Loosen, but do not remove screws on cover plate; push up and remove plate from assembly.

3. Remove cable /conduit clamp fitting from plate; Install UL Listed metallic enclosure entry fitting for plenum cable or flex whip.



4. Feed supply cable through whip to connector.

Make connections per wiring diagrams below; insulate all unused taps from each other, the enclosure and electrical ground.

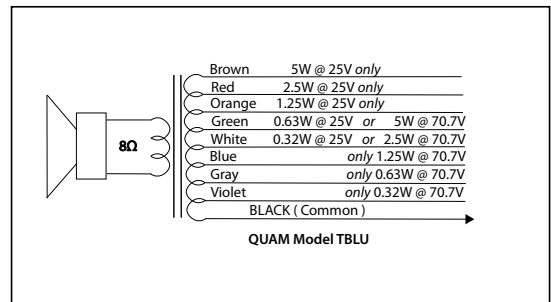
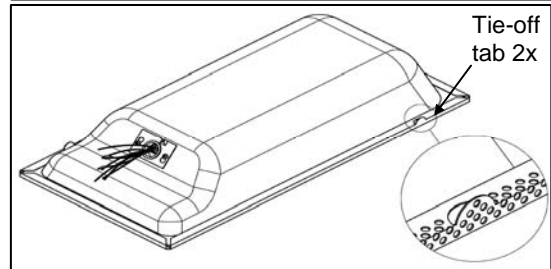
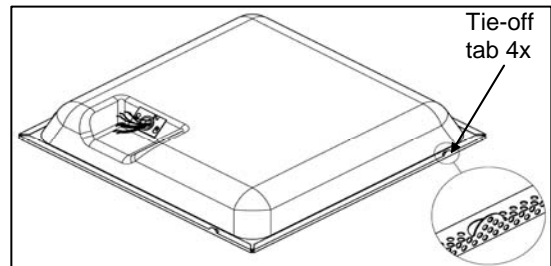
When cover plate is secured, all connections / splices and unused leads must be inside of the enclosure.

5. Place assembly onto ceiling grid, install 24" T-bar trim piece where required (furnished only with specific 1'x2' formats).

NOTE! AHJ/ local codes may require tie-off to structure. Bend up tie-off tabs as shown in illustration and install as directed.

NOTE! AHJ/ local codes may require tie-down to grid. Recommended fasteners; *not supplied.* Erico/Caddy part ATA4i and 1/4"-20 x 2" bolt, or equivalent. Install as directed.

6. Place remaining ceiling tile into opening as required.



234 East Marquette Road, Chicago, IL 60637
 Phone: (800) NEED NOW Fax: (888) NEED NOW
 (800) 633 - 3669 (888) 633 - 3669
 E-Mail: neednow@qnc.com www.quamspeakers.com

