



Quam

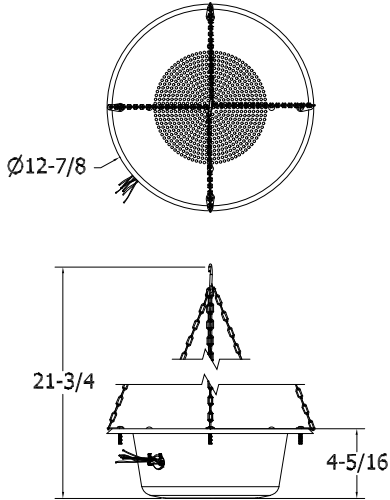
MA/E5/S7/T1

Economy Sound Masking Assembly, Wire Leads

MA/E5/S7/T8

Economy Sound Masking Assembly, Rotary Select

0105- SOUND MASKING SPEAKER ASSEMBLY



T8 Termination shown

LOUDSPEAKER ASSEMBLIES 01

GENERAL DESCRIPTION

The QUAM MA/E5/S7/Tx is a complete economy sound masking loudspeaker assembly with a 8" O.D. full range speaker, multiple transformer options, dust-proof perforated 22 gage steel baffle, 16 gage steel back box and suspension chain.
Finish: White baked epoxy hybrid.

INTENDED USE

Suspended by supplied chain mounting hardware between the structural deck and suspended ceiling deck in the following orientations: upwards, downwards or sideways; indoor environment.

Program Material:

- Primary use: Equalized random noise
- Secondary use: Signal tones or equalized voice

SYSTEM COMPONENTS

Loudspeaker	8C5PAX
Transformers	
MA/E5/S7/T1	4W*, 70.7V pigtail (TBL70)
MA/E5/S7/T8	4W*, 70.7V rotary tap (TBL70)
Enclosure	ERD8U

*4W, 2W, 1W, 0.5W, 0.25W

AUDIO SPECIFICATIONS

Average Sensitivity	92 dB SPL, 1W/ 1M
Loudspeaker Power Rating	12W RMS, EIA 426A Standard
Calculated Maximum System Output	98 dB SPL, 4W/ 1M
Magnet Type, Weight	BeFe Ceramic, 4.8 oz. Nominal
Frequency Response	65Hz - 17 kHz EIA 462A Standard
Nominal Coverage Angle	90° Included Angle, -6 dB / 2 kHz, Half space
Audio Connection	7" long, color-coded tinned wires, pre-cut
Mechanical Connection	Light steel chain, 4'-0" long, supplied

Recommended construction sequences, installation instructions and Guide Specs are available in various formats in the A&E Resources Section at: www.quamspeakers.com

Quam-Nichols Company

234 East Marquette Road, Chicago, IL 60637
 Phone: (800) NEED NOW Fax: (888) NEED NOW
 (800) 633 - 3669 (888) 633 - 3669
 E-Mail: neednow@qnc.com www.quamspeakers.com

