



Quam

MA/E8/S2/T1

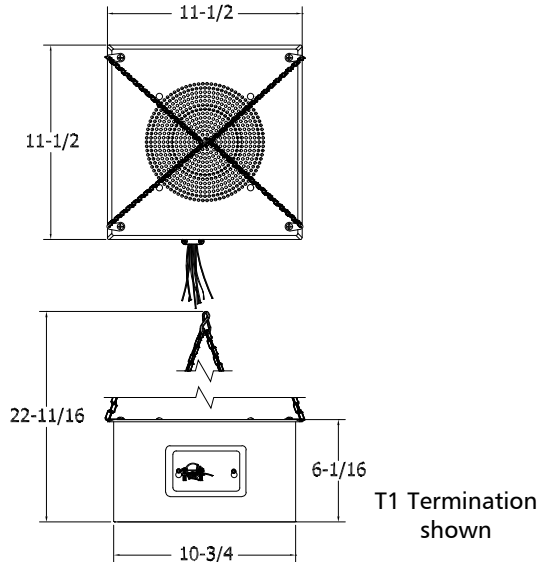
Standard Sound Masking Assembly, Wire Leads

MA/E8/S2/T8

Standard Sound Masking Assembly, Rotary Select

City of Chicago ★ Approved

0105- SOUND MASKING SPEAKER ASSEMBLY



LOUDSPEAKER ASSEMBLIES 01

GENERAL DESCRIPTION

The Quam MA/E8/S2/Tx is a complete sound masking loudspeaker assembly, with 8" frame loudspeaker, 70.7V transformer, dust-proof perforated steel baffle and 690 CID / 11.1 L steel back box and internal, rigid foam damping material.

Termination options:

- Wire pig-tail tap select Order as: MA/E8/S2/T1
- Rotary tap select Order as: MA/E8/S2/T8

Finish: White baked epoxy hybrid.

INTENDED USE

Suspended by supplied chain mounting hardware between the structural deck and suspended ceiling deck in the following orientations: upwards, downwards or sideways; indoor environment.

CITY OF CHICAGO: Material and construction permits use where ceiling plenum is part of the air handling system.

Program Material:

- Primary use: Equalized random noise
- Secondary use: Signal tones or equalized voice

SYSTEM COMPONENTS

Loudspeaker	8C10PAX
Transformer	TBL70 (4W/ 70.7V, 5 taps at -3 dB levels)
Enclosure	MA / E8

AUDIO SPECIFICATIONS

Speaker Size	8" frame
Average Sensitivity	95 dB SPL, 1W/ 1M
Loudspeaker Power Rating	20W RMS, EIA 426A Standard
Calculated Maximum System Output	101dB SPL, 4W/ 1M
Magnet Type, Weight	BeFe Ceramic, 10 oz. Nominal
Frequency Response	60Hz - 17 kHz EIA 462A Standard
Nominal Coverage Angle	90° Included Angle, -6 dB / 2 kHz, Half space
Mechanical Connection	Light steel chain, 4'-0" long, supplied
Signal Cable Entry	1/2" conduit clamp through single-gang cover plate
Audio Connection	7" long, color-coded tinned wires, pre-cut

Recommended construction sequences, installation instructions and A&E Specifications are available in various formats on the Quam Architects' and Engineers' Resources CD or on the web at: www.quamspeakers.com

Quam-Nichols Company

234 East Marquette Road, Chicago, IL 60637
 Phone: (800) NEED NOW Fax: (888) NEED NOW
 (800) 633 - 3669 (888) 633 - 3669
 E-Mail: neednow@qnc.com www.quamspeakers.com



Since 1930