



Quam

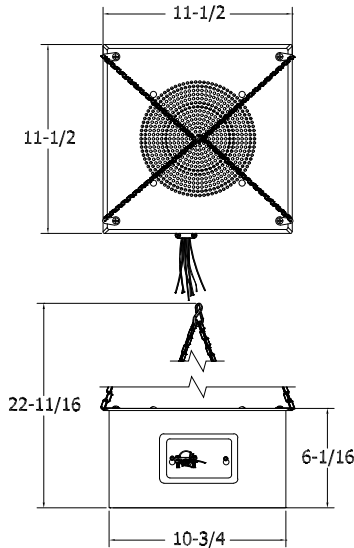


UL-10

690 CID 'Quiet Steel'® Assembly
 UL Listed 1480
 UEAY- Plenum Applications
 UUMW- Fire Protective Signaling
 City of Chicago ★ Approved 5346E

01
LOUDSPEAKER ASSEMBLIES

0106- UL LISTED SPEAKER ASSEMBLY



GENERAL DESCRIPTION

The Quam UL-10 is a complete sound masking loudspeaker assembly with 8" frame loudspeaker with fire retardant cone, 70.7V transformer, dust-proof perforated steel baffle and 690 CID / 11.1 L bi-metal composite Quiet Steel® back box.
 Finish: White baked epoxy hybrid.

INTENDED USE

Suspended by supplied chain mounting hardware between the structural deck and suspended ceiling deck in the following orientations: upwards, downwards or sideways; indoor environment.

UL Listed 1480
 UL UAEY- Plenum Applications
 UL UUMW- Fire Protective Signaling
 CITY OF CHICAGO ★ 5643E: material and construction permits use where ceiling plenum is part of the air handling system.

Program material:
 Primary use: Equalized random noise
 Secondary use: Signal tones or equalized voice

SYSTEM COMPONENTS

Loudspeaker 8C10PAFR
 Transformer UT-70-5, Integral to UL Listed system
 5W /70.7V, 5 taps*
 Enclosure MA / E6
 *5W, 2W, 1W, 0.5W, .25W

AUDIO SPECIFICATIONS

Speaker Size	8" frame
Average Sensitivity	95 dB SPL, 1W/ 1M
Loudspeaker Power Rating	20W RMS, EIA 426A Standard
Calculated Maximum System Output	102 dB SPL, 5W/ 1M
Magnet Type, Weight	BeFe Ceramic, 10 oz. Nominal
Frequency Response	60Hz - 10 kHz EIA 462A Standard
Nominal Coverage Angle	90° Included Angle, -6 dB / 2 kHz, Half space
Mechanical Connection	Light steel chain, 5'-0" long, supplied
Signal Cable Entry	1/2" conduit clamp through single gang cover plate
Audio Connection:	2- 7" long, color-coded tinned wires, pre-cut
Transformer Tap Selection	Push-on, jumper-to-lug; shipped in 1W position

Recommended construction sequences, installation instructions and A&E Specifications are available in various formats on the Quam Architects' and Engineers' Resources CD or on the web at: www.quamspeakers.com

Quam-Nichols Company

234 East Marquette Road, Chicago, IL 60637
 Phone: (800) NEED NOW Fax: (888) NEED NOW
 (800) 633 - 3669 (888) 633 - 3669
 E-Mail: neednow@qnc.com www.quamspeakers.com

