



Quam



UL-5 Fire Alarm Signaling Device, 70.7V

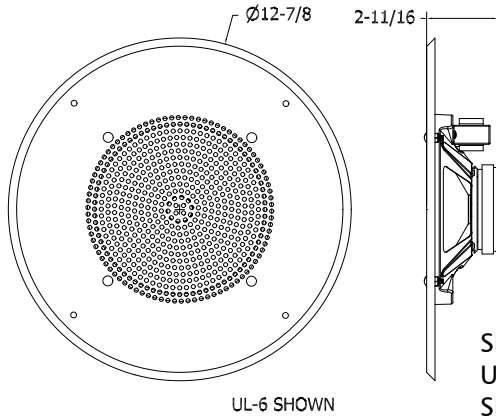
UL-6 General Signaling Device, 70.7V

UL-7 Fire Alarm Signaling Device, 25V

UL-8 General Signaling Device, 25V

01
LOUDSPEAKER ASSEMBLIES

0106- UL LISTED SPEAKER ASSEMBLY



Shown without ERD-8,
UL Listed Back Box ,
Shipped separately



GENERAL DESCRIPTION

The Quam UL-5 or UL-7 is a UL Listed (1480) loudspeaker assembly, transformer, line supervision capacitor and back box used as a fire alarm signaling device. Finish: White baked epoxy hybrid.

The Quam UL-6 or UL-8 is a UL Listed (1480) loudspeaker assembly, transformer, and back box used as a general (non-fire alarm) signaling device. Finish: White baked epoxy hybrid.

INTENDED USE

Indoor environment.
Program Material: Signal tones, voice and music

As a Fire Signaling Device: Used in conjunction with a compatible listed control unit; installation and application compliant with requirements of NFPA 72A and AHJ.

As a General Signaling Device: Used in conjunction with a compatible listed recording and reproducing equipment; installation and application compliant with requirements of NEC and AHJ.

RECOMMENDED ADDITIONAL QUAM COMPONENTS

Section 0402 - Loudspeaker Mounting Devices

SYSTEM COMPONENTS

Loudspeaker - All Units	8C10PAFR
Transformer - All Units	5 taps, 5W, 2W, 1W, 0.5W, 0.25W
UL-5 / UL-6	Model UT-70-5
UL-7 / UL-8	Model UT-25-5
Line Supervision Capacitor	ULSC-10 (UL-7) ULSC-4 (UL-5)
Back Box - All units	ERD-8
Baffle - All units	BR8W

AUDIO SPECIFICATIONS

Speaker Size	8" Frame
Average Sensitivity	95 dB SPL, 1W / 1M
Power Rating	20W RMS, EIA 426A Standard
Calculated Maximum System Output	102 dB SPL, 5W / 1M
Magnet Type, Weight	BeFe Ceramic, 10 oz. Nominal
Frequency Response	60 Hz - 12 kHz, EIA 426A Standard
Nominal Coverage Angle	90° Included Angle, -6 dB / 2 kHz, Half Space
Audio Connection*	Common: Dual 12" pre-cut wires Taps: Dual 12" red wires with field-selectable, push-on connector

*NOTE: Additional common and tap wires used for supervised systems only on UL-5 and UL-7

Recommended construction sequences, installation instructions and A&E Specifications are available in various formats on the Quam Architects' and Engineers' Resources CD or on the web at: www.quamspeakers.com

Quam-Nichols Company

234 East Marquette Road, Chicago, IL 60637
Phone: (800) NEED NOW Fax: (888) NEED NOW
(800) 633 - 3669 (888) 633 - 3669
E-Mail: neednow@qnc.com www.quamspeakers.com

