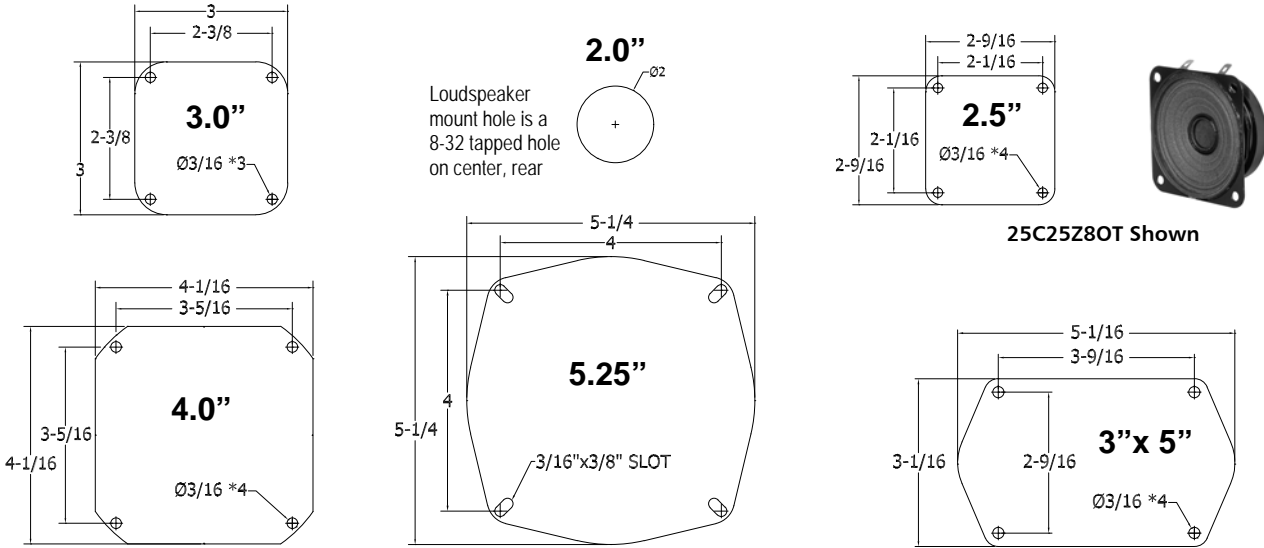


## 0204 - GENERAL PURPOSE LOUDSPEAKERS, INDIVIDUAL



### GENERAL DESCRIPTION

QUAM General Purpose and Replacement loudspeakers conform to Industry Standard mounting centers; weather-resistant speaker cones are phenolic resin impregnated.

Finish: Black baked epoxy hybrid.

	Model Number	Frequency Response (Hz)	Power (W) 1	Impedance(s) Available (Ω) 2	Cone Finish Options	Magnet Material / Weight (oz)	Depth (in)
2.0" Round	2A05Z8	300 Hz- 6 kHz	1W	8 Only	None	Alnico, 0.52	0.940
2.5" Square	25A07Zxx	150 Hz-12 kHz	2W	8 / 45	None	Alnico, 0.52	1.090
2.5" Square	25C25ZxxOT	200 Hz- 6 kHz	4W	8 / 45	Weather-Resistant	Ceramic 2.35	1.040
3.0" Square	30A05Zxx	150 Hz-12 kHz	2W	8 / 45	None	Alnico, 0.52	1.242
3.0" Square	30C25Z8	150 Hz-14 kHz	2W	8 Only	None	Ceramic 2.35	1.190
3.0" Square	30C25ZxxOT	150 Hz-10 kHz	4W	8 / 45	Weather-Resistant	Ceramic 2.35	1.190
3x5" Oval	35A05Z8	130 Hz-14 kHz	1W	8 Only	None	Alnico 0.52	1.520
4.0" Square	4A1Zxx	200 Hz-12 kHz	3W	8 / 45	None	Alnico 0.52	1.465
4.0" Square	4C3Z8FR	200 Hz-12 kHz	10W	8 Only	Flame-Retardant	Ceramic 4.8	1.450
4.0" Square	4C3Z8OT	130 Hz- 9 kHz	10W	8 Only	Weather-Resistant	Ceramic 4.8	1.450
4.0" Square	4C5Z8	120 Hz-15 kHz	10W	8 Only	Flame-Retardant	Ceramic 4.8	1.450
5.25" PC	52C5FR	100 Hz-15 kHz	10W	3.2 Only	Flame-Retardant	Ceramic 4.8	1.735

1- Loudspeaker Power Rating per EIA 426A

2- xx on Model number requires desired impedance designator: Z8 for 8 Ω, Z45 for 45 Ω

### Quam-Nichols Company

234 East Marquette Road, Chicago, IL 60637  
 Phone: (800) NEED NOW Fax: (888) NEED NOW  
 (800) 633 - 3669 (888) 633 - 3669  
 E-Mail: neednow@qnc.com www.quamspeakers.com

