

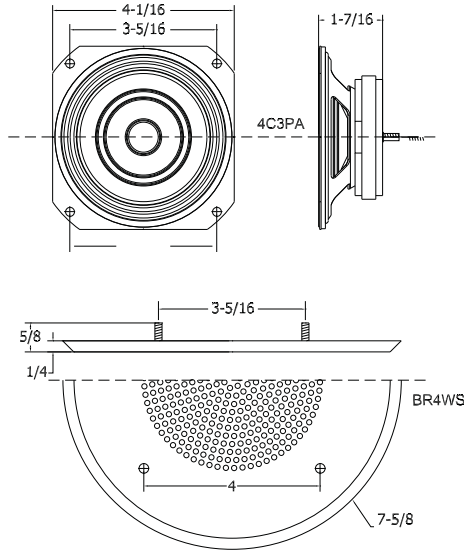


Quam

BR4WS
0301.1, Stud Mount Baffle

4C3PA
0203, Loudspeaker, Individual

0301 - BAFFLES, ROUND



03 BAFFLES

GENERAL DESCRIPTION

The Quam BR4WS is a 22 gage steel, round loudspeaker baffle with 4 welded 8-32 x 1" studs on the back surface. Finish: White baked epoxy hybrid.

INTENDED USE

Indoor environment. For use with 4C3PA Quam loudspeaker shown above, and related components

RECOMMENDED ADDITIONAL QUAM COMPONENTS

- Section 0401.1 - Back Box, Flush Mounted, Round, All
- Section 0402 - Loudspeaker Mounting Device, SSB-4
- Section 0502 - Transformer, All

Recommended construction sequences, installation instructions and A&E Specifications are available in various formats on the Quam Architects' and

Quam-Nichols Company

234 East Marquette Road, Chicago, IL 60637
Phone: (800) NEED NOW Fax: (888) NEED NOW
(800) 633 - 3669 (888) 633 - 3669
E-Mail: neednow@qnc.com www.quamspeakers.com

