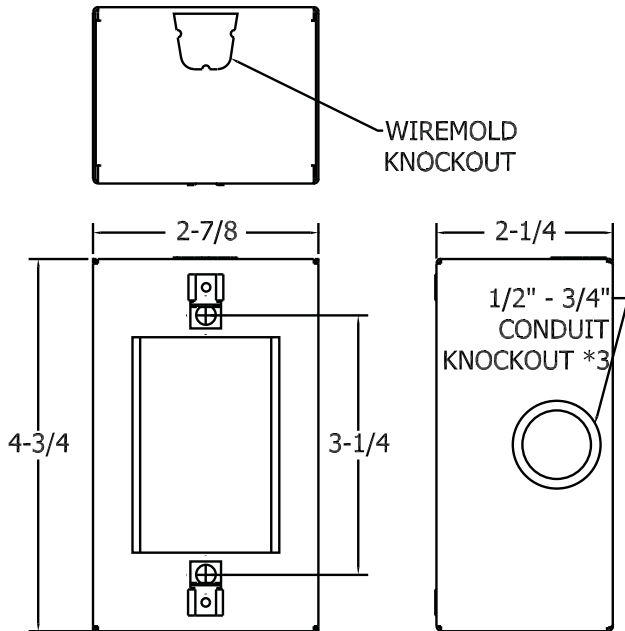




Quam

SE4W Single Gang Surface Mount Enclosure

0403- SURFACE MOUNTING DEVICES



GENERAL DESCRIPTION

The Quam SE4W is a 22 gage steel, open back, single gang surface mount enclosure fitted with #6 cage nuts, one Wiremold® knock-out and two combination 1/2"/3/4" knock-outs.

Finish: White baked epoxy hybrid

INTENDED USE

Indoor environment

RECOMMENDED ADDITIONAL QUAM COMPONENTS

- 0501- Attenuators
SE4W- QC4-x, QC10x, QC101x
- 0501.1- Attenuators, UL Listed
SE4W- QC10x, QC101x
- 0503- Selectors, Switches
SE4W- PS6L, CIB3, CIB4

Recommended construction sequences, installation instructions and A&E Specifications are available in various formats on the Quam Architects' and Engineers' Resources CD or on the web at: www.quamspeakers.com

04 BACK BOXES / MOUNTING DEVICES

Quam-Nichols Company

234 East Marquette Road, Chicago, IL 60637
Phone: (800) NEED NOW Fax: (888) NEED NOW
(800) 633 - 3669 (888) 633 - 3669
E-Mail: neednow@qnc.com www.quamspeakers.com

