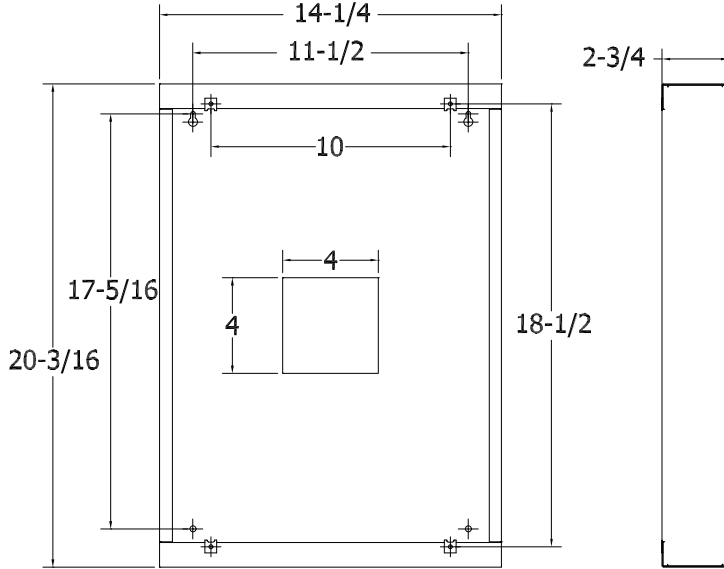




0403- SURFACE MOUNT, SQUARE



04 BACK BOXES / MOUNTING DEVICES

GENERAL DESCRIPTION

The Quam SE9W is a steel surface mount box for the Quam C5/BU/CK 1/x clock baffle, supplied separately. Finish: White baked epoxy hybrid.

INTENDED USE

Indoor environment, in either horizontal or vertical alignment.

REQUIRED ADDITIONAL QUAM COMPONENT

Section 0102- C5/BU/CK1/x Clock Baffle Loudspeaker

MECHANICAL SPECIFICATIONS

Height (Vertical orientation)	20-3/16"
Width (Vertical orientation)	14-1/4"
Depth	2-3/4"
Clock Baffle Attachment	4x #8 x 32 Tinnerman clips
Mechanical Access to Surface	2x #10 Keyhole slots 2x #10 holes
Electrical Access	4" X 4", center of enclosure

Recommended construction sequences, installation instructions and A&E Specifications are available in various formats on the Quam Architects' and

Quam-Nichols Company

234 East Marquette Road, Chicago, IL 60637
 Phone: (800) NEED NOW Fax: (888) NEED NOW
 (800) 633 - 3669 (888) 633 - 3669
 E-Mail: neednow@qnc.com www.quamspeakers.com

