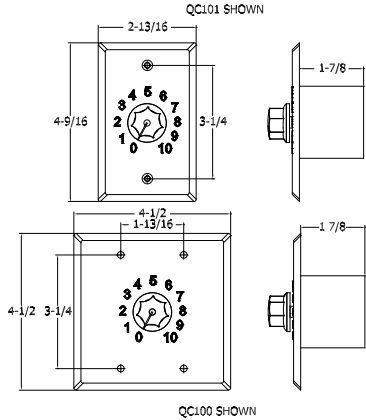




Quam

QC100xx QC101xx

0501, 0501.1 - ATTENUATORS



GENERAL DESCRIPTION

The Quam QC100xx is a dual gang, continuous rotary ten-step audio level attenuator with an OFF position.

The Quam QC101xx is a single gang, continuous rotary ten-step audio level attenuator with an OFF position.

Both single gang and dual gang formats are available in: -P (Priority relay), and -W (White finish) formats described below.

All variants *except* the QC10xP are UL Listed AZJX

- Finish: QC10x, QC10xP- Brushed stainless steel, embossed position
 QC101RM- 2" x 2" dial scale, white on black
 QC10xW- White baked hybrid epoxy finish, no position on scale
- Knob: QC10x, QC10xP, QC101RM- Black with white indicator
 QC10xW- White molded indicator

INTENDED USE

QC10x, QC101RM, QC10xW:

Attenuates audio power to any number of loudspeakers up to 100W load. For use with 25V or 70.7V distributed audio systems.

UL Listed AZJX- Meets UL 813 Standards

Commercial Audio Equipment when installed in accordance with supplied instructions and connected to supply circuits in accordance with ANSI/ NFPA70, NEC, and AHJ, Indoor use.

QC10xP: (No UL Listing)

Attenuates audio power to any number of loudspeakers up to 100W load. For use with 25V or 70.7V distributed audio systems, indoor use. When internal 24VDC relay is activated, attenuator function is bypassed.

Program Material: Signal tones, voice and music

Quam-Nichols Company

234 East Marquette Road, Chicago, IL 60637
 Phone: (800) NEED NOW Fax: (888) NEED NOW
 (800) 633 - 3669 (888) 633 - 3669
 E-Mail: neednow@qnc.com www.quamspeakers.com

RECOMMENDED ADDITIONAL QUAM COMPONENTS

- 0403- Surface Mounting Devices
- SE4W Single Gang Box- QC101 Only

AUDIO SPECIFICATIONS

Power Rating	100W Continuous
Attenuation (Ref: 25V, 70.7V line)	Position 10, Full signal Positions 9-3, -3 dB each Positions 2-1, -6 dB each Position 0, -36 dB
Insertion Loss	< 0.5 dB

MECHANICAL SPECIFICATIONS

Mounting	QC100, QC100W, QC100P: Dual Gang electrical box, 2-3/4" deep QC101, QC101W: Single Gang electrical box, 2-3/4" deep QC101P: Single Gang electrical box, 3-1/2" deep QC101RM: 2RU rack panel or greater, 1/8" thick maximum
Relay Actuation	24VDC, 0.15A (QC100P only)
Audio Connection	10" long, color-coded tinned wires, pre-cut

Recommended construction sequences, installation instructions and A&E Specifications are available on the web at: www.QuamSpeakers.com

05 ATTENUATORS



**LISTED
Commercial
Audio
Equipment
35CR**

