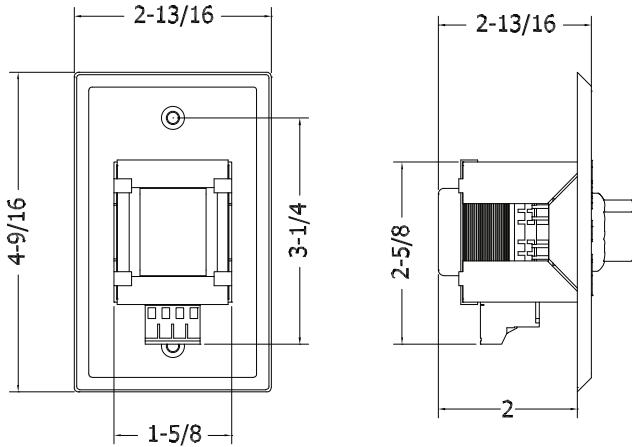




QC101M
1-Gang Ten-Step 100W Attenuator
With Terminal Block Connector

QC101M/RM
Rack Mount Ten-Step 100W Attenuator
With Terminal Block Connector

0501 - ATTENUATORS



QC101M



QC101M/ RM

GENERAL DESCRIPTION

The Quam QC101M and QC101M/RM are each continuous rotary, ten-step audio level attenuators with an OFF position.

Faceplate Finish: Stainless steel, embossed position

Knob Black with white indicator

MODELS

QC101M Attenuator with Single-gang brushed stainless steel faceplate and embossed legend 0-10
 Black plastic knob with white index

QC101M/RM Attenuator with pressure sensitive adhesive label; legend 0-10
 Black plastic knob with white index

INTENDED USE

Attenuates audio power to any number of loudspeakers up to 100W load. For use with 25V or 70.7V distributed audio systems; indoor environment.

Program Material: Signal tones, voice and music

RECOMMENDED ADDITIONAL QUAM COMPONENT

QC101M Only: 0403 - Surface Mounting Devices
 SE4W Single Gang Box

AUDIO SPECIFICATIONS

Power Rating	100W continuous
Attenuation	Position 10, Full signal
(Ref: 25V, 70.7V line)	Positions 9-1, -1.5 dB per step
	Position 0, -36dB
Insertion Loss	< 0.5 dB

MECHANICAL SPECIFICATIONS

Mounting	QC101M: Single gang electrical box, 2-1/8" Deep QC10M/RM: 2RU rack panel or greater, 1/8" thick maximum
Audio Connection	4-pin terminal block

Recommended construction sequences, installation instructions and A&E Specifications are available in various formats on the Quam Architects' and Engineers' Resources CD or on the web at: www.quamspeakers.com

Quam-Nichols Company

234 East Marquette Road, Chicago, IL 60637
 Phone: (800) NEED NOW Fax: (888) NEED NOW
 (800) 633 - 3669 (888) 633 - 3669
 E-Mail: neednow@qnc.com www.quamspeakers.com

© 2012 Quam-Nichols Company Quam-Nichols reserves the right to make changes and/or improvements to its products at any time and without notice.



TQC101M_12FE02

05 ATTENUATORS