



Quam

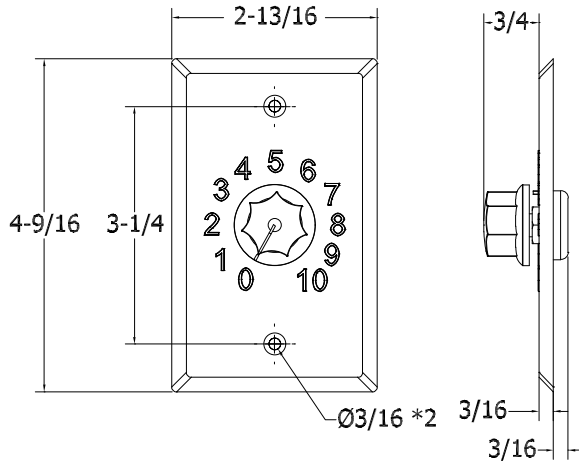
QC4-50

Attenuator, Stepless, 4, 8, or 16Ω Circuit

QC4-5000

Attenuator, Stepless, 25 / 70.7V Circuit

0501 - ATTENUATORS



GENERAL DESCRIPTION

The Quam QC4- (xxxx) is a single gang, rotary, wirewound stepless attenuator with an OFF position.
 Finish: Brushed stainless steel, embossed scale positions
 Knob: Black with white indicator

INTENDED USE

QC4-50: Attenuates audio power to a loudspeaker with a nominal impedance between 4 -16Ω up to 4W load; indoor environment.

QC4-5000: Attenuates audio power to the primary (tap) side of a 25 / 70.7V: 8Ω transformer, up to 4W load; indoor environment.

SYSTEM COMPONENTS

-N/A

RECOMMENDED ADDITIONAL QUAM COMPONENTS

QC4- 50:
 Section 02- LOUDSPEAKERS, INDIVIDUAL

QC4-5000:
 Section 01- LOUDSPEAKER ASSEMBLIES
 Section 0601- Vandal Resistant Speaker Assemblies

Optional:
 Section 0403- Surface Mounting Device
 SE4W Single Gang Box
 SE4W/2 Double Gang Box- for two devices

AUDIO SPECIFICATIONS

Power Rating	5W continuous
Attenuation	0dB – ∞, Stepless
QC4-50	0 - 50Ω
QC4-5000	0 - 5kΩ
Insertion Loss	1.0 dB

MECHANICAL SPECIFICATIONS

Mounting	Single gang electrical box, 2-1/8" Deep Mounting screws supplied
Audio Connection	6" long, color-coded tinned wires, pre-cut

Recommended construction sequences, installation instructions and A&E Specifications are available in various formats on the Quam Architects' and Engineers' Resources CD or on the web at: www.quamspeakers.com

Quam-Nichols Company

234 East Marquette Road, Chicago, IL 60637
 Phone: (800) NEED NOW Fax: (888) NEED NOW
 (800) 633 - 3669 (888) 633 - 3669
 E-Mail: neednow@qnc.com www.quamspeakers.com

05 ATTENUATORS