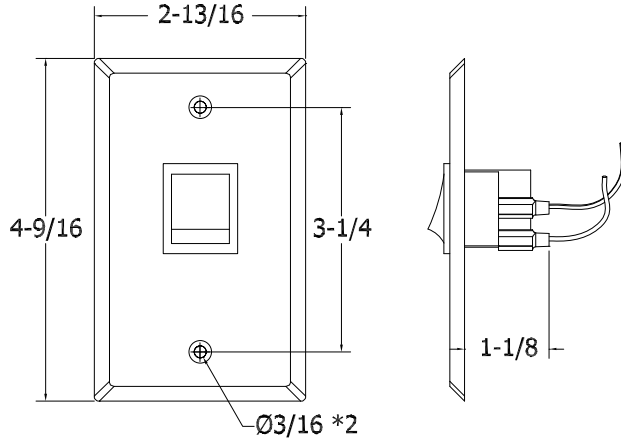




# Quam

## CIB3 Switch, Call-In

### 0503- SELECTORS, SWITCHES, VOLUME CONTROL



#### GENERAL DESCRIPTION

The Quam CIB3 is a single-gang, call-in station with momentary, normally open, rocker actuator. The faceplate is 24 gage, brushed stainless steel with #6-32 hardware.

The legend "CALL" is hot-stamped on the switch.

#### INTENDED USE

Indoor environment.

#### RECOMMENDED QUAM COMPONENT

0403- SE4W Single Gang Surface Mount Enclosure

#### SWITCH CONNECTIONS

3" Stripped and tinned pigtails

Recommended construction sequences, installation instructions and A&E Specifications are available in various formats on the Quam Architects' and Engineers' Resources CD or on the web at: [www.quamspeakers.com](http://www.quamspeakers.com)

ATTENUATORS / TRANSFORMERS

05

#### Quam-Nichols Company

234 East Marquette Road, Chicago, IL 60637  
Phone: (800) NEED NOW Fax: (888) NEED NOW  
(800) 633 - 3669 (888) 633 - 3669  
E-Mail: [neednow@qnc.com](mailto:neednow@qnc.com) [www.quamspeakers.com](http://www.quamspeakers.com)

© 2008 Quam-Nichols Company Quam-Nichols reserves the right to make changes and/or improvements to its products at any time and without notice

TCIB2\_08AP18