



Quam

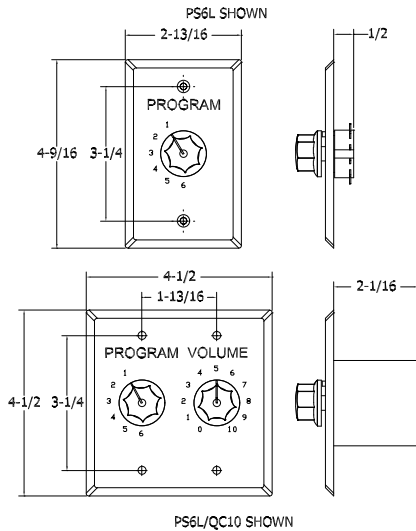
PS6L

1-Gang, Six-Position Program Selector

PS6L/QC10

2-Gang, Six-Position Program Selector with Volume Control

0503 - SELECTORS, SWITCHES, VOLUME CONTROL



GENERAL DESCRIPTION

The Quam PS6L is a single gang, six-position program selector that assigns the balanced output of a 25, 70.7 or 100V amplifier to one or more loudspeakers with a total load of 60W or less.

The Quam PS6L/QC10 is a 2-gang assembly with six-position program selector that assigns the balanced output of a 25, 70.7 or 100V amplifier to one or more loudspeakers with a total load of 20W or less and a continuous rotary ten-step audio level attenuator.

Finish: Brushed stainless faceplate, black printed legend, black knob, white indicator hash mark

INTENDED USE

Indoor environment
Program Material: Signal tones, voice and music.

SYSTEM COMPONENTS

N/A

RECOMMENDED ADDITIONAL QUAM COMPONENTS

0403- Surface Mounting Devices
SE4W Single Gang Box- PS6L

AUDIO SPECIFICATIONS

| | |
|----------------|-------------------------------------|
| Power Rating | |
| PS6L | 60W-RMS / 25, 70.7 or 100V |
| PS6L/QC10 | 20W-RMS / 25, 70.7 or 100V |
| Switching | |
| PS6L | Full stop at Pos. 1 and 6, detented |
| QC10 | Continuous, detented |
| Attenuation | |
| PS6L/QC10 | Steps 1-2, -6 dB |
| QC10 only | Steps 3-10, -3 dB |
| | Pos. 10, -36 dB total |
| Insertion Loss | < 0.5 dB |

MECHANICAL SPECIFICATIONS

| | |
|------------|-----------------------------------------|
| Mounting | |
| PS6L | Single Gang electrical box, 2-1/8" deep |
| PS6L/QC10 | Dual Gang electrical box, 2-1/8" deep |
| Audio | Input, both devices- 5" pigtail leads |
| Connection | Output, both devices- 7" pigtail leads |

Recommended construction sequences, installation instructions and A&E Specifications are available on the web at: www.QuamSpeakers.com

ATTENUATORS / TRANSFORMERS

05

Quam-Nichols Company

234 East Marquette Road, Chicago, IL 60637
Phone: (800) NEED NOW Fax: (888) NEED NOW
(800) 633 - 3669 (888) 633 - 3669
E-Mail: neednow@qnc.com www.quamspeakers.com

© 2011 Quam-Nichols Company Quam-Nichols reserves the right to make changes and/or improvements to its products at any time and without notice.



TPS6LQC10_11SE13