

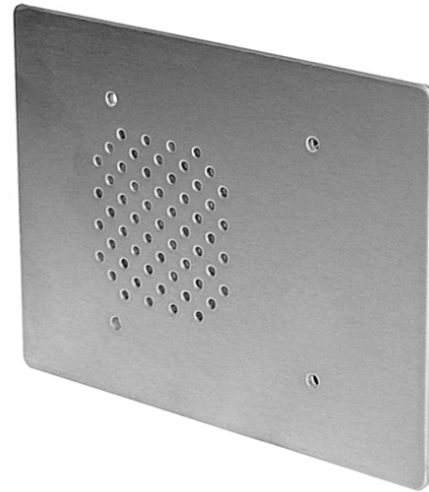
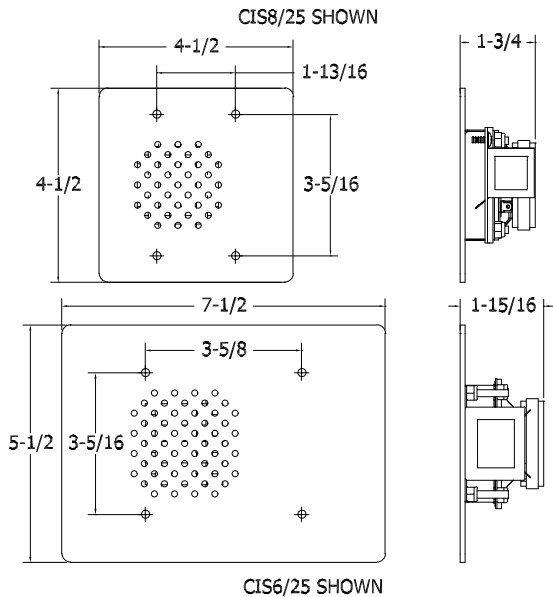


# Quam

**CIS6/xx**  
3-Gang Station, No Call Button, Stainless Steel

**CIS8/xx**  
2-Gang Station, No Call Button, Stainless Steel

## 0602 - VANDAL RESISTANT INTERCOM ASSEMBLIES



CIS6/x SHOWN

### GENERAL DESCRIPTION - All variants

The Quam CISx/xx is a vandal resistant, 'listen-only' station with integral loudspeaker. The faceplate is 12 gage, brushed stainless steel with three (3) interwoven steel security screens mounted between the faceplate and the loudspeaker; tamper-resistant, #6-32 'pin-in-torx' hardware is included.

The Quam CIS6/xx, as above in 3-gang wide format  
The Quam CIS8/xx, as above in 2-gang wide format

Specify at time of order, one of the following:  
8 or 45 Ohm impedance voice coil -or-  
25V multi-tap transformer

Other transformer options available, please contact Factory

### INTENDED USE

Outdoor or indoor environment.

### SYSTEM COMPONENTS

Loudspeaker	3" weatherproof (CIS6 format) 2-1/2" weatherproof (CIS8 format) Phenolic impregnated cone
Transformer Option: 25V	1W, 3 taps at -3 db levels Order CISx/25
Voice Coil Options: 8 Ω 45 Ω	Order CISx/8 Order CISx/45

### RECOMMENDED ADDITIONAL QUAM COMPONENTS

CIS6/xx only:  
0603 SE3GVP Vandal Resistant Surface Mount Enclosure

CIS8/xx only:  
0603 SE6GVP Surface Mount Enclosure  
0603 SE7GVP Hooded Surface Mount Enclosure  
0603 SE8GVP Angled Surface Mount Enclosure

### AUDIO SPECIFICATIONS

Speaker Size	3" - CIS6/xx, 2-1/2" - CIS8/xx
Average Sensitivity	87 dB-SPL, 1W / 1M
Power rating	1W RMS, EIA 426A Standard
Frequency Response	150 - 10 kHz, CIS6 200 - 8 kHz, CIS8 EIA 426A Standard
Nominal Coverage Angle	90° Included Angle
Coverage Angle	-6 dB / 2 kHz, half space
Audio Connections	Transformer: 7" long, color-coded tinned wires, Pre-cut 8Ω / 45Ω Speaker: 0.205 spade lug

Recommended construction sequences, installation instructions and A&E Specifications are available in various formats on the Quam Architects' and Engineers' Resources CD or on the web at: [www.quamspeakers.com](http://www.quamspeakers.com)

### Quam-Nichols Company

234 East Marquette Road, Chicago, IL 60637  
Phone: (800) NEED NOW Fax: (888) NEED NOW  
(800) 633 - 3669 (888) 633 - 3669  
E-Mail: [neednow@qnc.com](mailto:neednow@qnc.com) [www.quamspeakers.com](http://www.quamspeakers.com)

© 2008 Quam-Nichols Company Quam-Nichols reserves the right to make changes and/or improvements to its products at any time and without notice



CORRECTION / DETENTION

06

TCIS6\_CIS8\_08DE11