

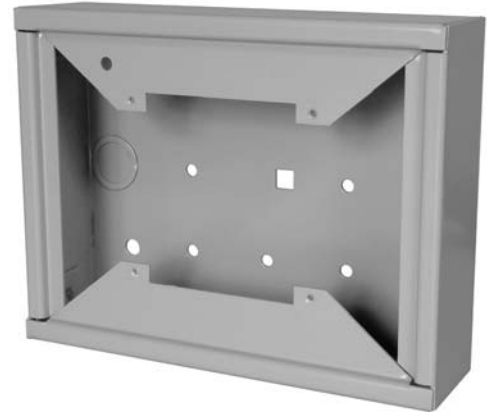
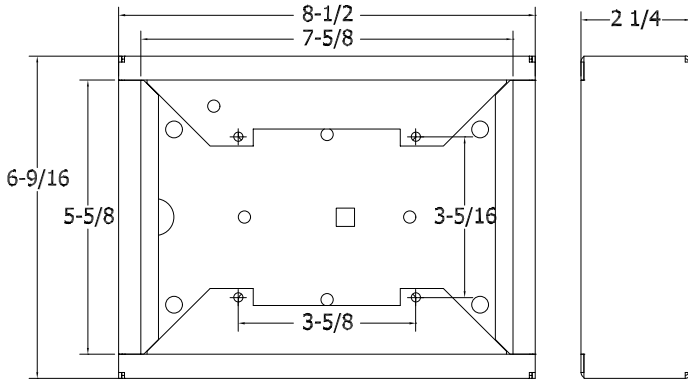


Quam

SE3GVP

Vandal Resistant Enclosure, 3-Gang

0603 - VANDAL RESISTANT COMPONENTS



GENERAL DESCRIPTION

The Quam SE3GVP is a 16 gage steel, vandal-resistant enclosure for a 3-gang call-in or listen-only station.

Enclosure has four #6-32 threaded inserts on standard 3-gang centers and two 1/2" / 3/4" combination knock-out conduit entrances.

Finish: Gray baked epoxy hybrid

INTENDED USE

Outdoor or indoor environment

RECOMMENDED ADDITIONAL QUAM COMPONENTS

- 0602- Vandal Resistant Intercom Assemblies
- CIS2/xx 3-gang call-in stations
- CIS6/xx 3-gang listen-only stations

Recommended construction sequences, installation instructions and A&E Specifications are available in various formats on the Quam Architects' and Engineers' Resources CD or on the web at: www.quamspeakers.com

CORRECTION / DETENTION

06

Quam-Nichols Company

234 East Marquette Road, Chicago, IL 60637
 Phone: (800) NEED NOW Fax: (888) NEED NOW
 (800) 633 - 3669 (888) 633 - 3669
 E-Mail: neednow@qnc.com www.quamspeakers.com

