



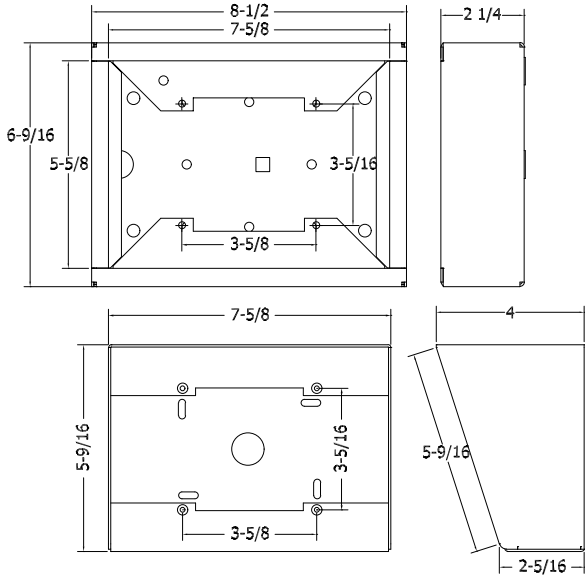
Quam

SE3GVP Vandal Resistant Surface Mount Enclosure, 3-Gang

SE10GVP Vandal Resistant Surface Hooded Enclosure, 3-Gang

0603 - VANDAL RESISTANT COMPONENTS

SE3GVP



SE10GVP



SE10GVP shown

GENERAL DESCRIPTION

The Quam SE_GVP format is a 16 gage steel, vandal-resistant enclosure for a 3-gang call-in or listen-only station. All enclosures have 4 #6-32 threaded inserts on standard 2-gang centers; conduit entrance(s) are nominal 1/2".

Finish: Gray baked epoxy hybrid

Variants of the SE_GVP format are:

- SE3GVP- Surface mount enclosure, as above
- SE10GVP- Hooded enclosure, as above

INTENDED USE

Indoor or protected outdoor environment

RECOMMENDED ADDITIONAL QUAM COMPONENTS

- 0602- Vandal Resistant Intercom Assemblies
- CIS2/xx 3-gang call-in stations
- CIS6/xx 3-gang 'listen-only' stations

Recommended construction sequences, installation instructions and A&E Specifications are available in various formats on the Quam Architects' and Engineers' Resources CD or on the web at: www.quamspeakers.com

CORRECTION / DETENTION

06

Quam-Nichols Company

234 East Marquette Road, Chicago, IL 60637
Phone: (800) NEED NOW Fax: (888) NEED NOW
(800) 633 - 3669 (888) 633 - 3669
E-Mail: neednow@qnc.com www.quamspeakers.com

