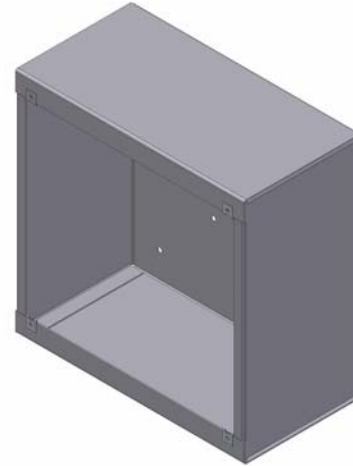
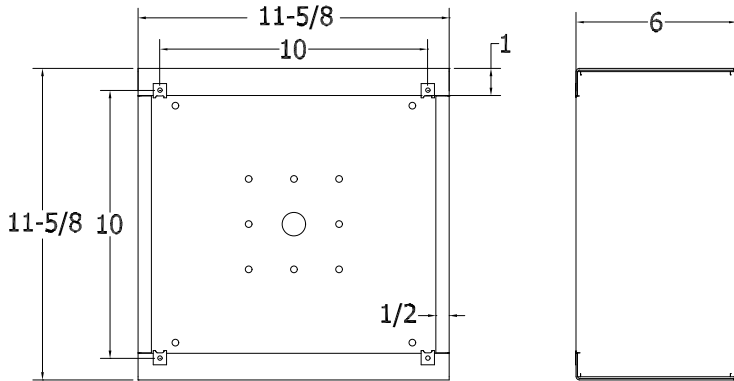




Quam

SE5GVP Vandal Resistant Loudspeaker Enclosure

0603 - VANDAL RESISTANT COMPONENTS



GENERAL DESCRIPTION

The Quam SE5GVP is a 16 gage steel, vandal-resistant loudspeaker enclosure.

Enclosure has 4 #6-32 threaded inserts and 3/4" conduit entrance on the rear of the enclosure

Finish: White baked epoxy hybrid

INTENDED USE

Outdoor or indoor environment

RECOMMENDED ADDITIONAL QUAM COMPONENTS

- 0103- Paging Horn
H16/SVP 16W Paging Horn, 25/70V xfm with Vandal Resistant Baffle
- or following components-
- 0204- Public Address Loudspeaker
8C10PAOT- 8 Ohm, 10 oz. magnet, Moisture resistant
- 0502- Transformer
(As required)
- 00603- Vandal Resistant Components
BS8VP-Square, Vandal Resistant baffle for 8" loudspeaker

Recommended construction sequences, installation instructions and A&E Specifications are available in various formats on the Quam Architects' and Engineers' Resources CD or on the web at: www.quamspeakers.com

06 CORRECTION / DETENTION

Quam-Nichols Company

234 East Marquette Road, Chicago, IL 60637
 Phone: (800) NEED NOW Fax: (888) NEED NOW
 (800) 633 - 3669 (888) 633 - 3669
 E-Mail: neednow@qnc.com www.quamspeakers.com

