



# Quam

## SE6GVP

Vandal Resistant Surface Mount Enclosure, 2-Gang

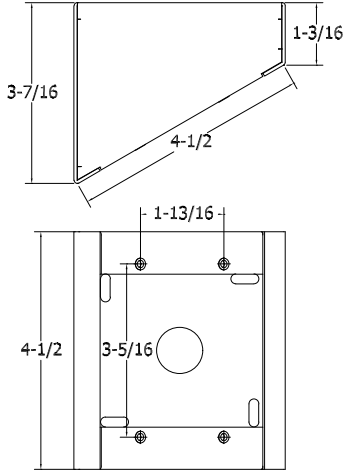
## SE7GVP

Vandal Resistant Surface Hooded Enclosure, 2-Gang

## SE8GVP

Vandal Resistant Angle Mount Enclosure, 2-Gang

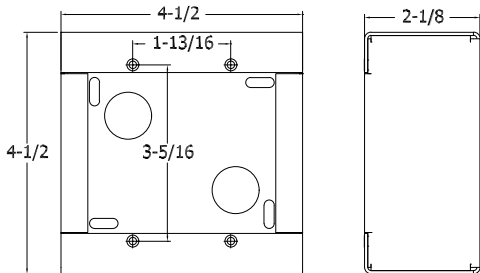
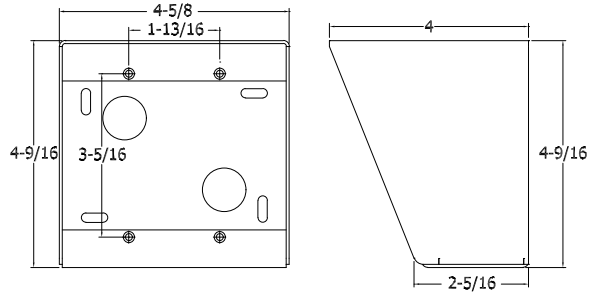
### 0603 - VANDAL RESISTANT COMPONENTS



SE8GVP



SE7GVP shown with Quam CIS4/xx



SE6GVP

#### GENERAL DESCRIPTION

The Quam SE\_GVP format is a 16 gage steel, vandal-resistant enclosure for a 2-gang call-in or listen-only station. All enclosures have 4 #6-32 threaded inserts on standard 2-gang centers; conduit entrance(s) are nominal 1/2".

Finish: Gray baked epoxy hybrid

Variants of the SE\_GVP format are:

- SE6GVP-Surface mount enclosure, as above
- SE7GVP- Hooded enclosure, as above
- SE8GVP- Angled enclosure, as above

#### INTENDED USE

Indoor or protected outdoor environment

#### RECOMMENDED ADDITIONAL QUAM COMPONENTS

- 0602- Vandal Resistant Intercom Assemblies
- CIS4/xx 2-gang call-in stations
- CIS8/xx 2-gang listen-only stations

Recommended construction sequences, installation instructions and A&E Specifications are available on the web at: [www.QuamSpeakers.com](http://www.QuamSpeakers.com)

CORRECTION / DETENTION

06

#### Quam-Nichols Company

234 East Marquette Road, Chicago, IL 60637  
 Phone: (800) NEED NOW Fax: (888) NEED NOW  
 (800) 633 - 3669 (888) 633 - 3669  
 E-Mail: [neednow@qnc.com](mailto:neednow@qnc.com) [www.quamspeakers.com](http://www.quamspeakers.com)

