



Quam

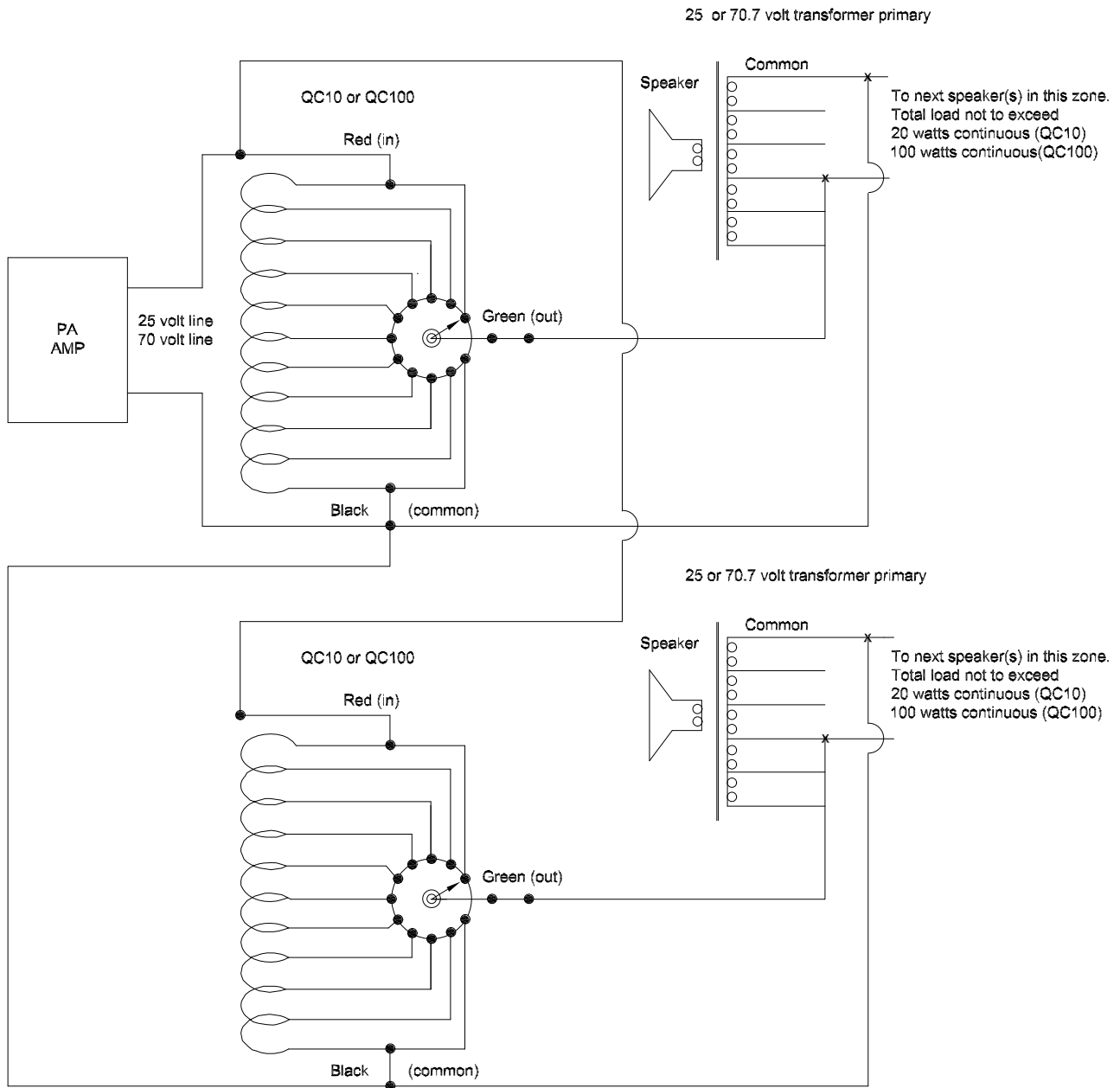


QC10 / QC100

0501-Attenuators
0501.1- Attenuators, UL Listed

WIRING DIAGRAM

0580- WIRING DIAGRAMS, ATTENUATOR/ TRANSFORMER



05 ATTENUATORS

Quam-Nichols Company

234 East Marquette Road, Chicago, IL 60637
Phone: (800) NEED NOW Fax: (888) NEED NOW
(800) 633 - 3669 (888) 633 - 3669

E-Mail: neednow@qnc.com www.quamspeakers.com