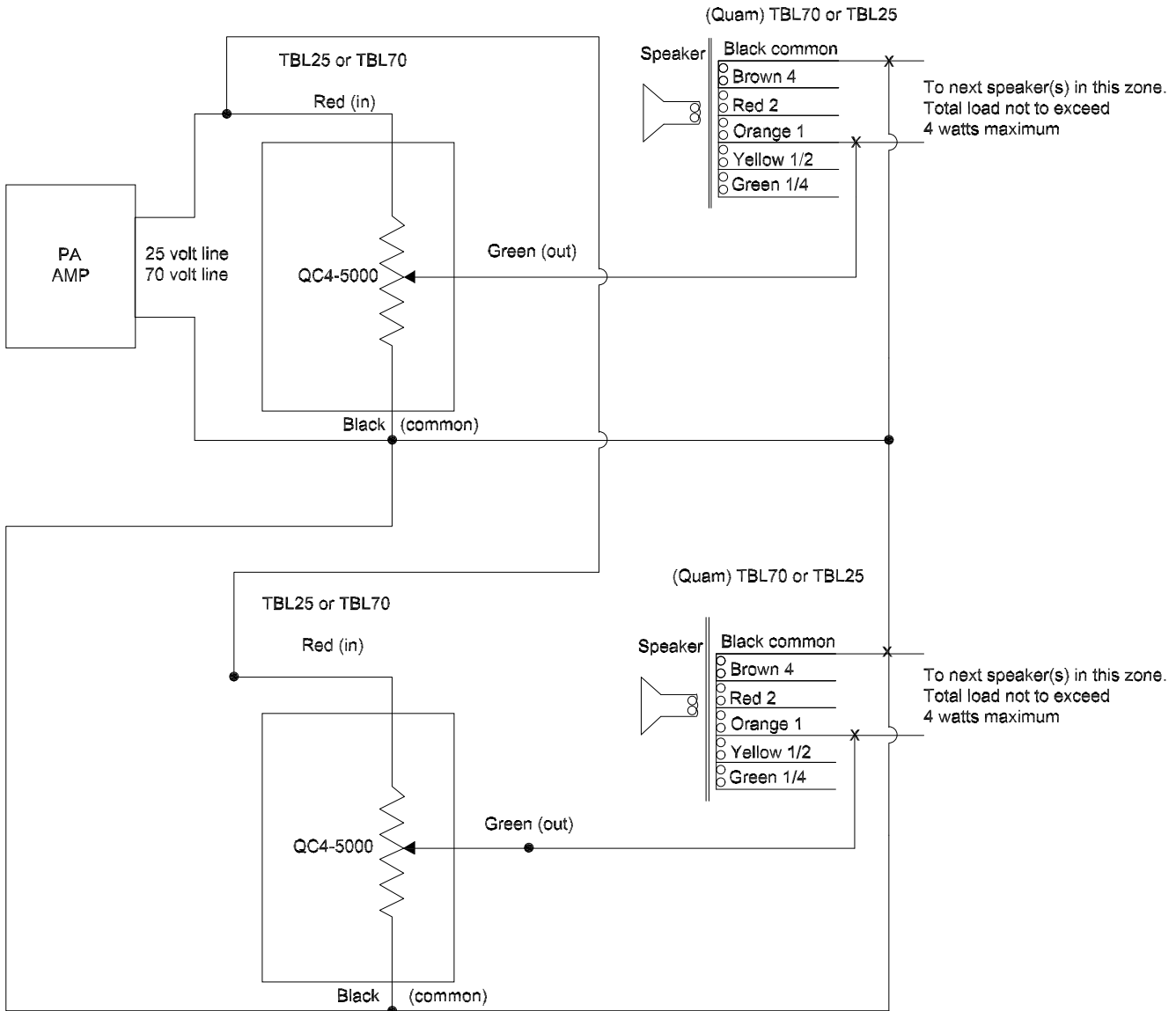




## WIRING DIAGRAM

### 0580 - ATTENUATORS



Note: Color codes on transformer only apply to Quam TBL25 (25 volt) and TBL 70 (70 volt) transformers. Model QC4-5000 volume controls are designed to work with constant voltage line transformers and must be limited to receive a maximum of 4 watts RMS.

#### Quam-Nichols Company

234 East Marquette Road, Chicago, IL 60637  
 Phone: (800) NEED NOW Fax: (888) NEED NOW  
 (800) 633 - 3669 (888) 633 - 3669  
 E-Mail: neednow@qnc.com www.quamspeakers.com