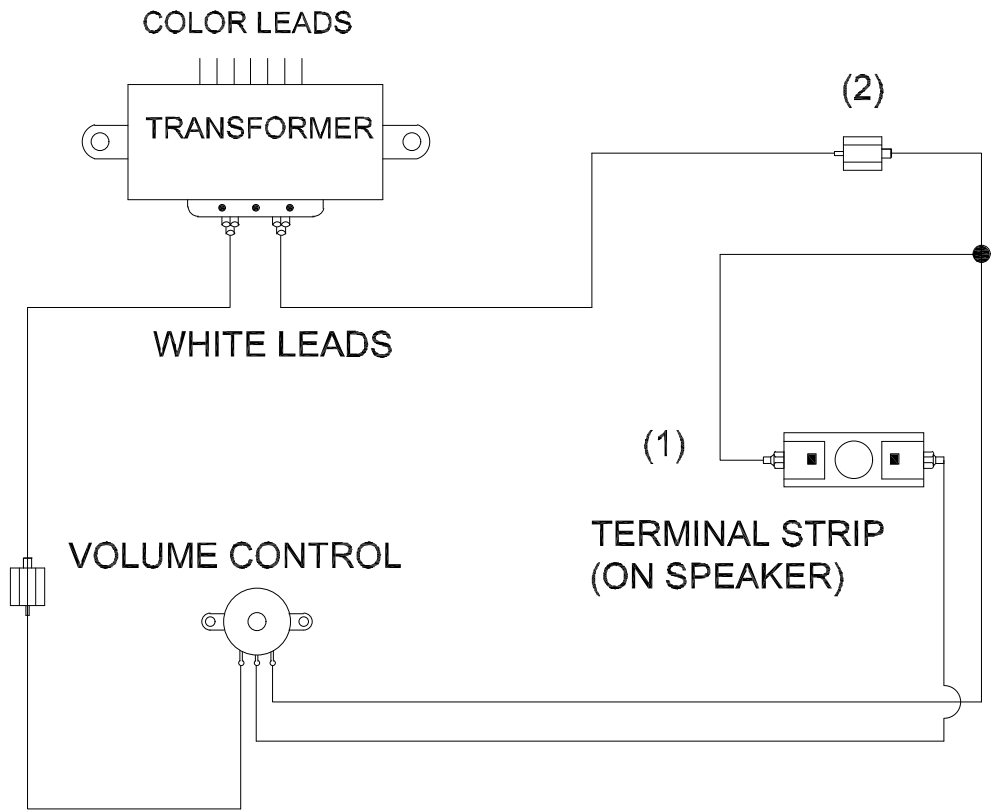




### 0580- WIRING DIAGRAMS, ATTENUATOR/ TRANSFORMER



#### INSTRUCTIONS:

1. Connect the FEMALE connectors from the Volume Control to the terminal strip on the loudspeaker.
2. Connect the MALE connectors from the Volume Control to the FEMALE connectors of the white wire leads coming from the transformer.

ATTENUATORS

05

#### Quam-Nichols Company

234 East Marquette Road, Chicago, IL 60637  
 Phone: (800) NEED NOW Fax: (888) NEED NOW  
 (800) 633 - 3669 (888) 633 - 3669  
 E-Mail: neednow@qnc.com www.quamspeakers.com