

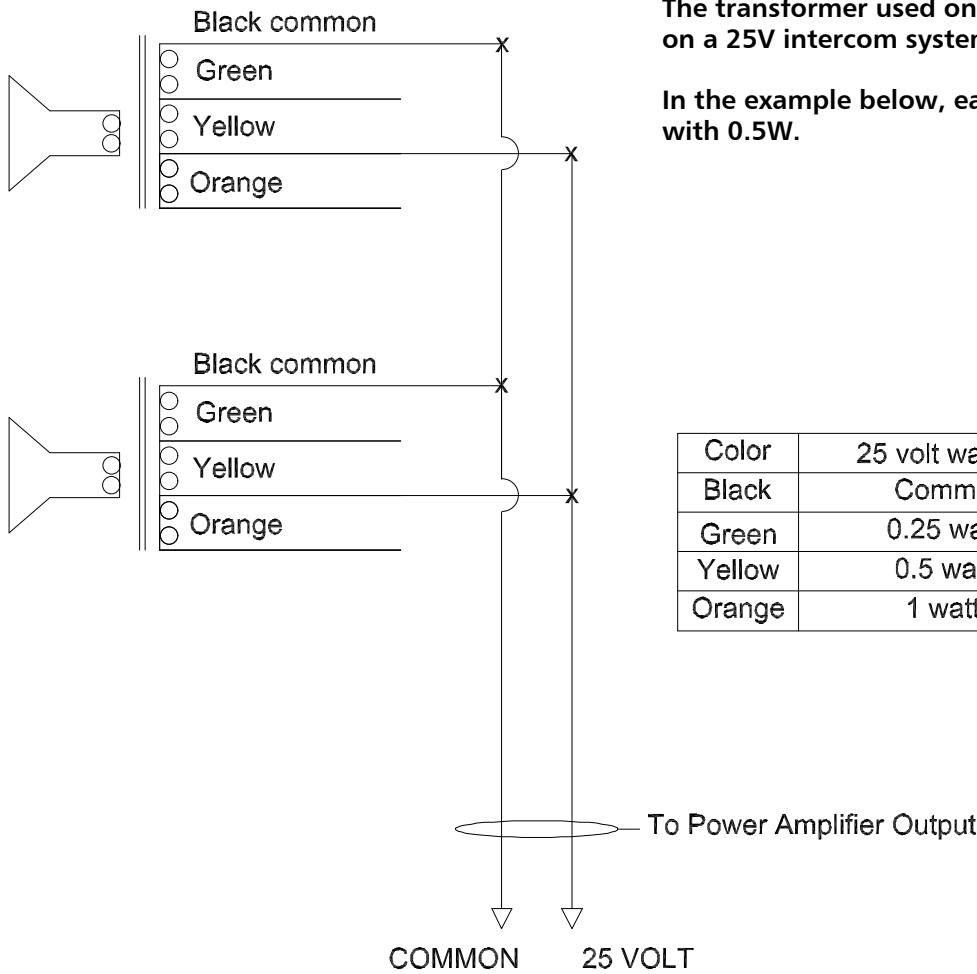


Quam

CIS4/25**2-Gang, Vandal Resistant Call-In Station, Stainless Steel****CIS2/25****3-Gang, Vandal Resistant Call-In Station, Stainless Steel**

WIRING DIAGRAM

0680 - VANDAL RESISTANT INTERCOM ASSEMBLIES



The transformer used on this model can ONLY BE USED on a 25V intercom system.

In the example below, each speaker would be supplied with 0.5W.

Color	25 volt wattage
Black	Common
Green	0.25 watts
Yellow	0.5 watts
Orange	1 watts

*Note: Each unused transformer tap must be insulated from each other and from ground. Transformer color codes shown are for Quam CIS4/25 transformer.

CORRECTION / DETENTION**06****Quam-Nichols Company**

234 East Marquette Road, Chicago, IL 60637
 Phone: (800) NEED NOW Fax: (888) NEED NOW
 (800) 633 - 3669 (888) 633 - 3669

E-Mail: neednow@qnc.com www.quamspeakers.com