



# SYSTEM 19

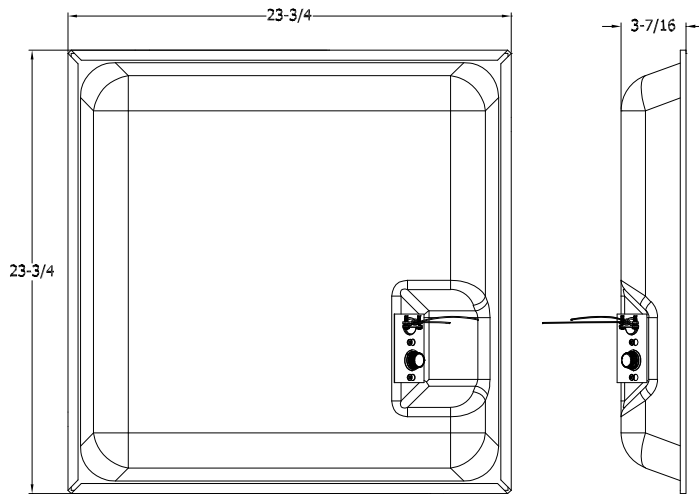
2-Way, Full Range  
70.7V , Rotary Select

# SYSTEM 19/B

As above, Black epoxy hybrid finish

## 0104.5 - LAY-IN CEILING MOUNT (TILE REPLACEMENT)

01



SYSTEM 19 Shown

LOUDSPEAKER ASSEMBLIES

### GENERAL DESCRIPTION

The Quam SYSTEM 19 is a complete, 2-way extended frequency response loudspeaker assembly, perforated steel baffle, rotary tap 70.7V transformer and integral back box.

Finish options: White or black baked epoxy hybrid.

### INTENDED USE

Indoor environment, mounted parallel to floor plane in a 24" wide suspended ceiling tile grid.

Program Material: Music, voice and signal tones.

### SYSTEM COMPONENTS

LF Speaker	150mm (6") diameter frame, polypropylene cone, butyl surround
HF Speaker	25.4mm (1") diameter Mylar dome
Transformer	20W, 5 taps at -3 dB levels *, Rotary select
Finish options	Black only, Order as SYSTEM 19/B

\*20W, 10W, 5W, 2.5W, 1.25W

### AUDIO SPECIFICATIONS:

Average Sensitivity	91 dB-SPL, 1W/ 1M
Loudspeaker Power Rating	30W RMS, EIA 426A Standard
Calculated Output	103dB-SPL, 20W / 1M
Frequency Response	60Hz - 20 kHz EIA 426A Standard
Nominal Coverage Angle	100° Included angle, -6dB
Audio Connection	2 kHz, half space
	7" long, color coded tinned wires

Recommended construction sequences, installation instructions and A&E Specifications are available in various formats on the Quam Architects' and Engineers' Resources CD or on the web at: [www.quamspeakers.com](http://www.quamspeakers.com)

### Recommended QUAM Accessories

For installations in 9/16" frame ceiling grids- Frame clip Kit#105  
100 count, suitable for 25x loudspeaker installations

### Quam-Nichols Company

234 East Marquette Road, Chicago, IL 60637  
Phone: (800) NEED NOW Fax: (888) NEED NOW  
(800) 633 - 3669 (888) 633 - 3669  
E-Mail: [neednow@qnc.com](mailto:neednow@qnc.com) [www.quamspeakers.com](http://www.quamspeakers.com)

© 2008 Quam-Nichols Company Quam-Nichols reserves the right to make changes and/or improvements to its products at any time and without notice.



Since 1930 TSYSTEM19\_08\_JN13